

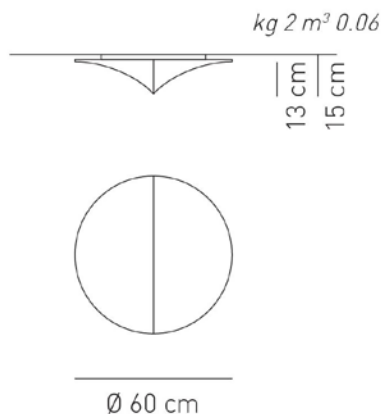
PLNELL60
Design by Manuel Vivian

Collection consisting of ceiling or wall lamps with metal frame and removable, washable elastic fabric covering. Available in several colours and sizes. Screw fitting light source.

Typology: CEILING - WALL LAMP

Ratings

- E27
- Diffused light
- Surface installation over holes
- Supply voltage ~220-240V
- Switch mode: on-off
- Steel frame, painted



Product code composition

NELLY / fabric INCLUDED

Type	Article	Colours	Finish	Source
PL	NELL 60	BC white	XX white metal	E27 2 x Max 16W LED or 2 x Max 70W halo
		FA ivory pattern		
		FB white pattern		

Removable and washable elastic fabric
WHITE FABRIC:
Composition 80% polyamide, 20% elastane (spandex)
Weight (ISO 3801) 195/215 gr/m².

WHITE PATTERN/IVORY PATTERN:
Composition 82% polyamide, 18% elastane (spandex)
Weight (ISO 3801) 160/180 gr/m².
Glow wire for ivory 850°C
Glow wire for white 750°C



example composition code | **PL** | **NELL60** | **FA** | **XX** | **E27**

for optional accessories please refer to our pricelist or contact our representatives

Available lampshade colors



BC
White

FA
Ivory pattern

FB
White pattern

EELc (Energy Efficiency Label compatibility): E, D, C, B, A, A+, A++

PLNELL60_ _XXE27

CUSTOMER _____

NOTES _____

Luminous flux (lm) and efficacy (lm/W) for all built-in LED luminaires is estimated based on nominal ratings of the LED sources. Technical data could be subject to alteration without notice. Axo Light does not provide legal guarantee for the accuracy of this data sheet.