

Space

Kitchen Mixer

Article no.: 1001000
Finish: Chrome
Series: Space

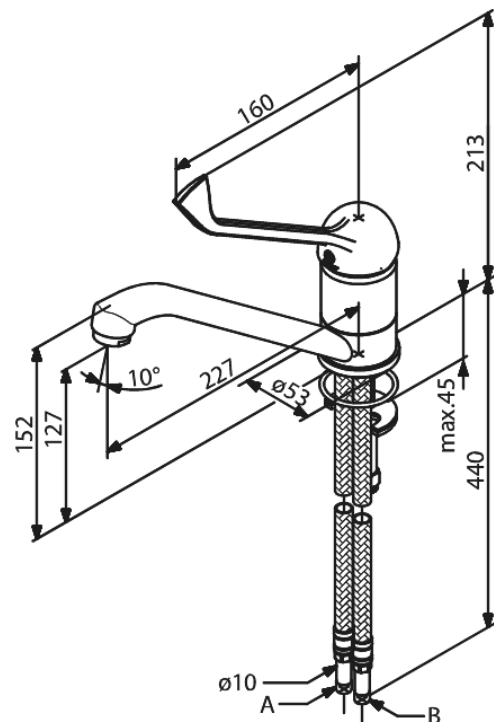
EAN no.: 5708516728740



Standard features:

- 1 handle
- 120° swivel limitation
- Ceramic cartridge
- Scalding protection (38°C)
- Water consumption max. 13 l
- Eco-Save water saving feature

Product features



FM Mattsson Mora Group Denmark
Østbirkvej 2, DK-5240 Odense NØ

+45 88 33 00 34 damixa-international@fmm-mora.com

More information på <https://damixa.com>

damixa