

Space

# Kitchen Mixer

**Article no.:** 1012000  
**Finish:** Chrome  
**Series:** Space

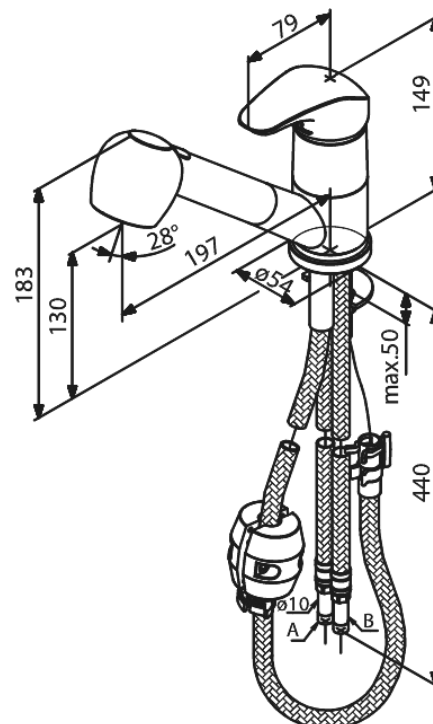
**EAN no.:** 5708516615187



## Standard features:

- 1 handle
- 120° swivel limitation
- Ceramic cartridge
- Scalding protection (38°C)
- Water consumption max.9 l/min
- Eco-Save water saving feature
- Dual function spray head

## Product features



FM Mattsson Mora Group Denmark  
Østbirkvej 2, DK-5240 Odense NØ

+45 88 33 00 34 damixa-international@fmm-mora.com

Mere information på <https://damixa.com>

**damixa**