

Pine

Kitchen Mixer

Article no.: 1700100
Finish: Chrome
Series: Pine

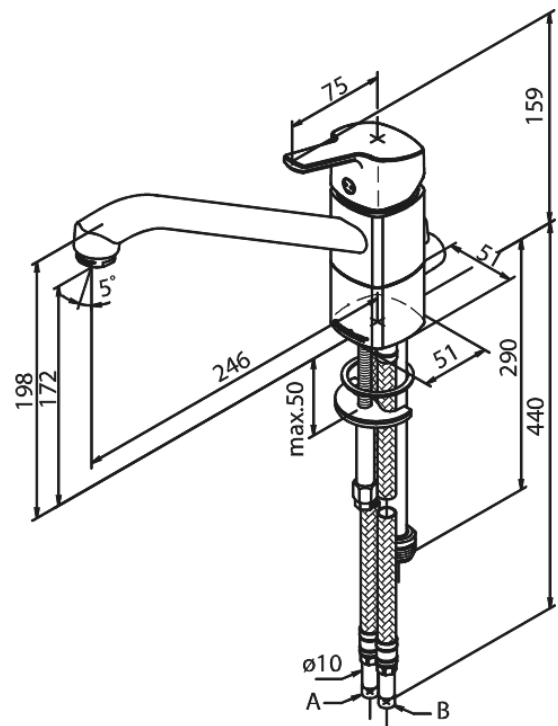
EAN no.: 5708516814689



Standard features:

- 1 handle
- 120° swivel limitation
- Ceramic cartridge
- Cold-start
- Rub-Clean
- Scalding protection (38°C)
- Eco-Save water saving feature
- 8/l min aerator
- Dishwasher Shut off valve

Product features



FM Mattsson Mora Group Denmark
Østbirkvej 2, DK-5240 Odense NØ

+45 88 33 00 34 damixa-international@fmm-mora.com

More information på <https://damixa.com>

damixa