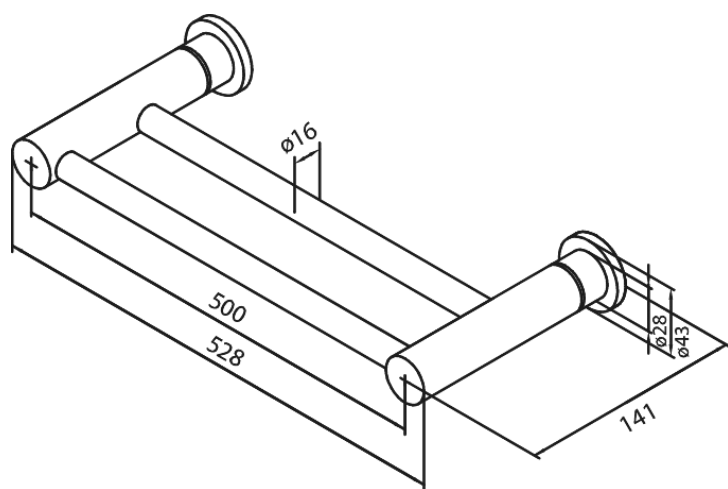
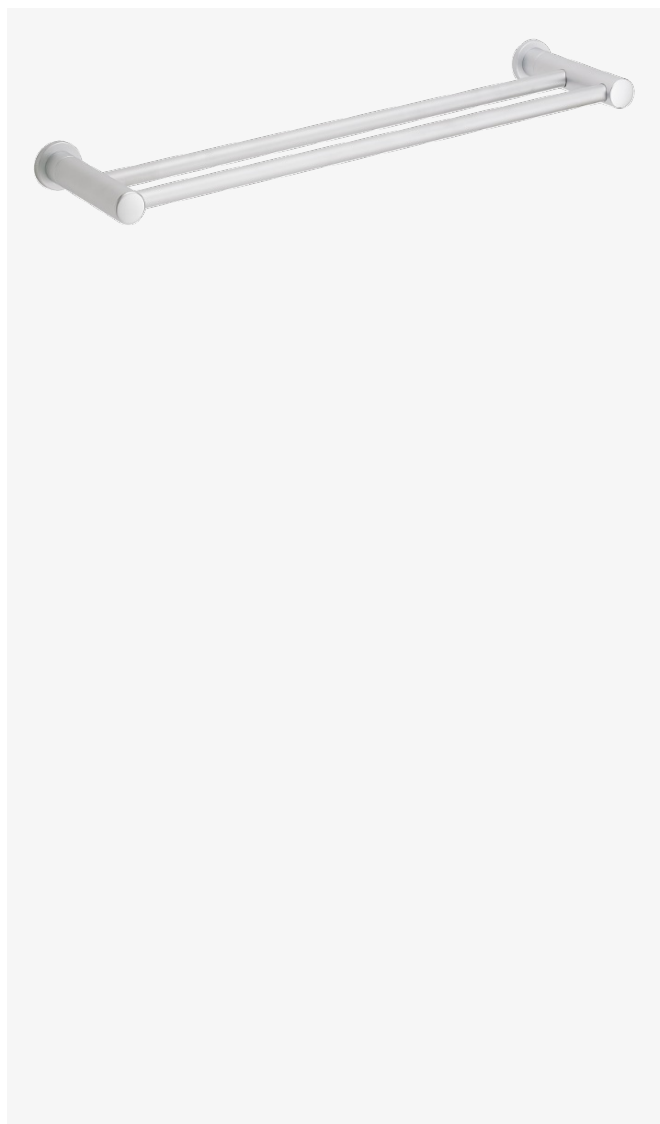


Bathroom Accessories

Twin Towel Rail 500 mm

Article no.: 4831300
Finish: Chrome
Series: Bathroom Accessories

EAN no.: 5708516019541



FM Mattsson Mora Group Denmark
Østbirkvej 2, DK-5240 Odense NØ

+45 88 33 00 34 damixa-international@fmm-mora.com

Mere information på <https://damixa.com>

damixa