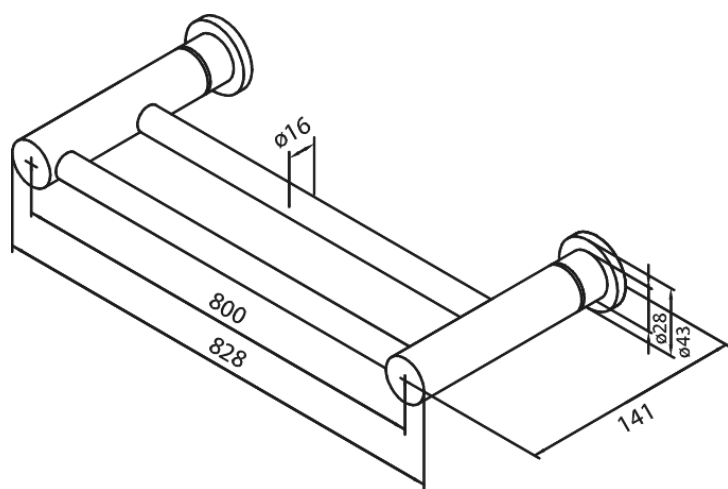
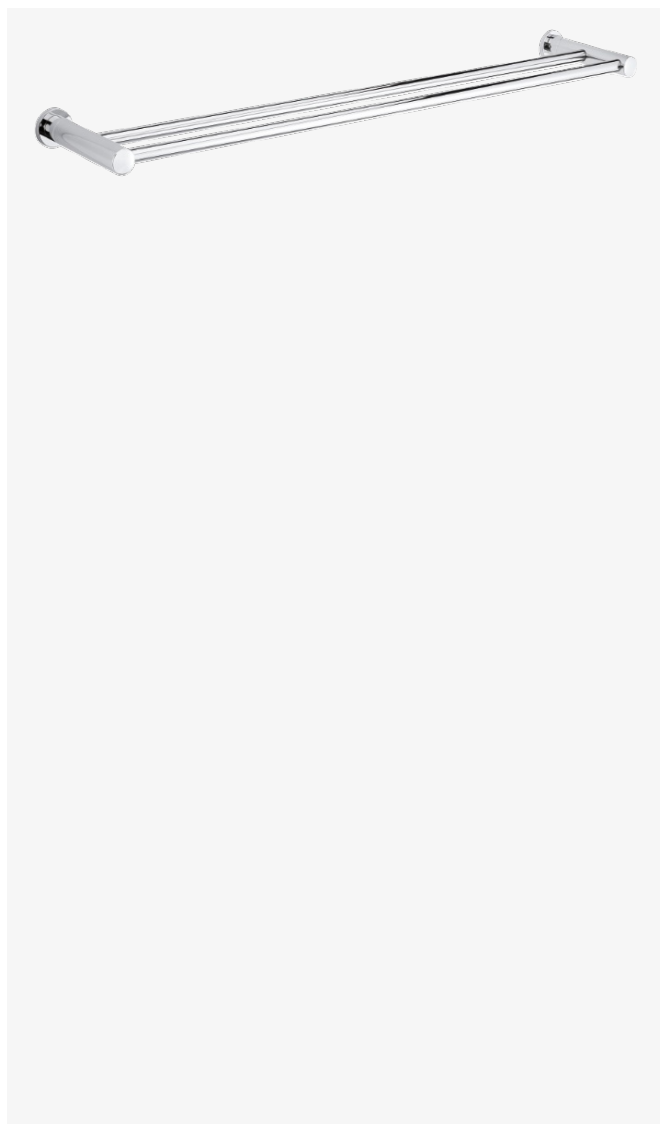


Bathroom Accessories

# Twin Towel Rail 800 mm

**Article no.:** 4831500  
**Finish:** Chrome  
**Series:** Bathroom Accessories

**EAN no.:** 5708516138389



FM Mattsson Mora Group Denmark  
Østbirkvej 2, DK-5240 Odense NØ

+45 88 33 00 34 [damixa-international@fmm-mora.com](mailto:damixa-international@fmm-mora.com)

Mere information på <https://damixa.com>

**damixa**