

Slate

Kitchen Mixer

Article no.: 6507774
Finish: Chrome/Black
Series: Slate

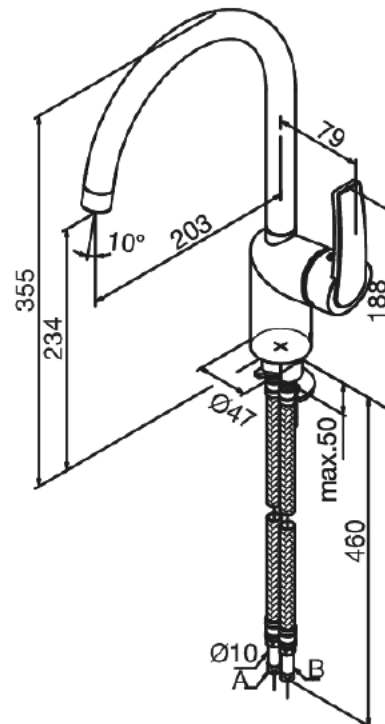
EAN no.: 5708516735175



Standard features:

- 1 handle
- 120° swivel limitation
- Ceramic cartridge
- Cold-start
- Rub-clean aerator
- Scalding protection (38°C)
- Water consumption max. 15 l/min
- Eco-Save water saving feature

Product features



FM Mattsson Mora Group Denmark
Østbirkvej 2 DK 5240 Odense NØ

+45 88 33 00 34 damixa_international@fmm_mora.com

Mere information på [https //damixa.com](https://damixa.com)

damixa