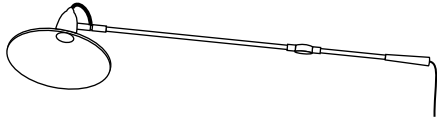


Assembly Instructions

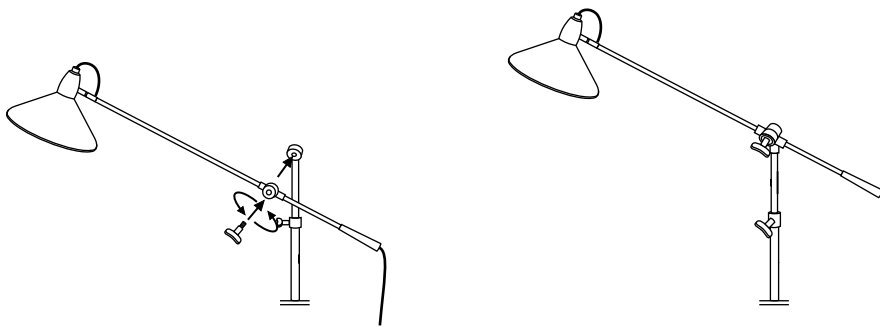
1. Before assembling, be sure to turn off the main switch
2. Please use E14 Max 9W CFL bulb for this lamp (Bulb not included)
3. Don't use hard or sharp things to touch the shade in order to avoid scratching.
4. Keep away from children: don't let them touch the electric parts of this lamp.

If (part of) the cable of this lamp is damaged, it should only be replaced by the manufacturer or his service agent or similar qualified person in order to avoid a hazard.

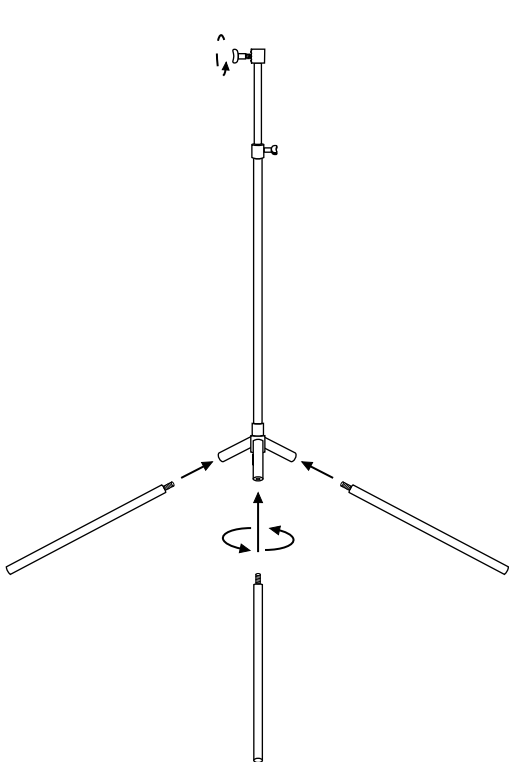
ASSEMBLY INSTRUCTIONS



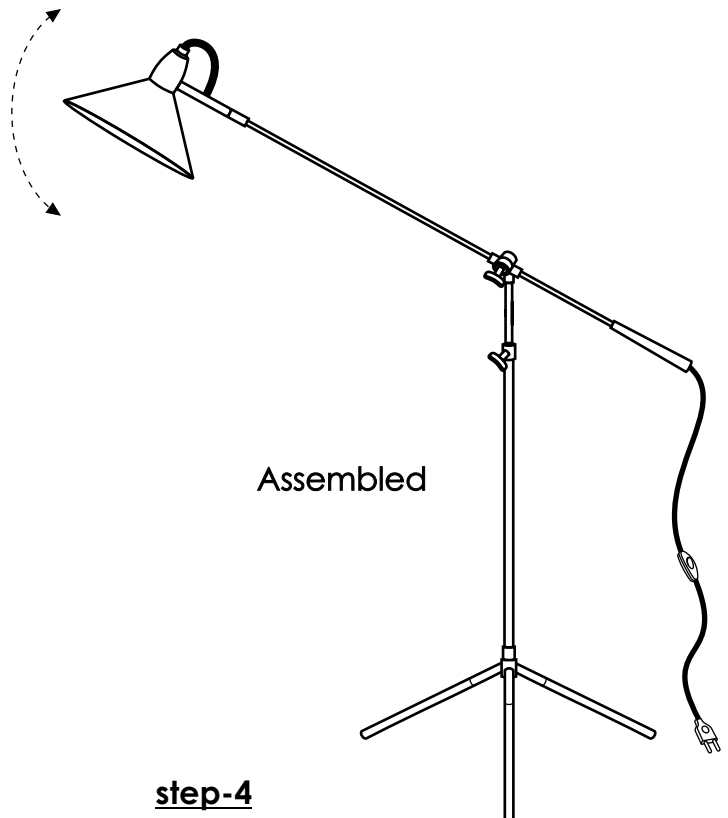
step-1



step-2



step-3



step-4