



Concert

DESIGNED BY JØRN UTZON

LIGHT[®]
YEARS



The Concert pendant by Jorn Utzon gives a pleasant, non-glaring light without compromising the strength of illumination. The lamp is built up of four shades and a parabola of drawn steel, which is mounted on a glass suspension of acid treated glassware. The suspension unit sends out a pleasant, even light between the shades. The bottom shade casts light downward to the parabola, which softens the light and but prevents glare – regardless of the height of the lamp. The chosen shade configuration is visually characteristic of Jorn Utzon and reminds us of his greatest work, the Sydney Opera House.

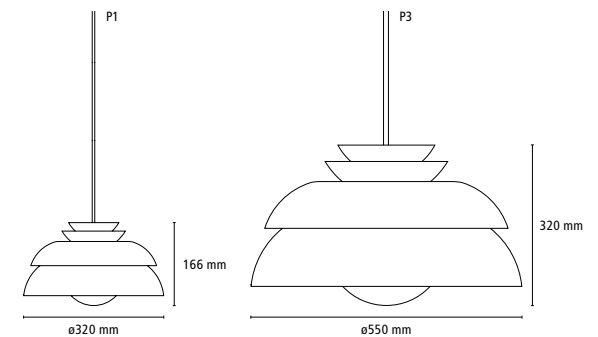
FACTS

SURFACE White lacquer

MATERIAL

Shade: Drawn steel

Suspension: Acid frosted glass



PRODUCT NAME	PRODUCT CODE	DESCRIPTION	LIGHT SOURCE
CONCERT Pendant 1	54003405	Ø320 mm, white lacquer, white textile cord	E27 max 75W
CONCERT Pendant 3	74003505	Ø550 mm, white lacquer, white textile cord	E27 max 150W