



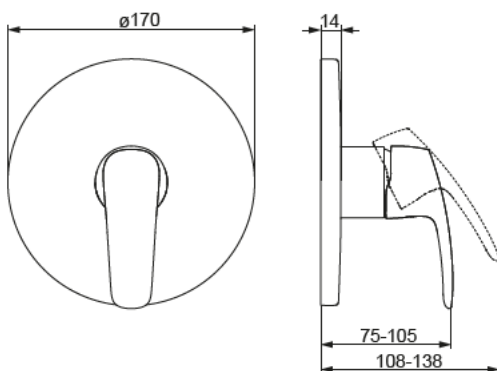
HANSA

Installation and maintenance guide



**8527 9183**

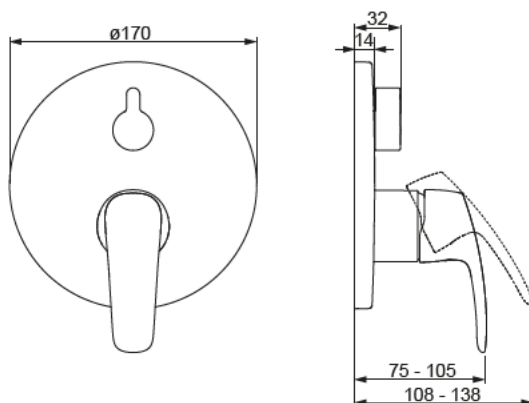
EN 817
50 - 1000 kPa
0.37 l/s (300 kPa)
max. +90°C



mpi.hansa.com/85279183

8526 9183

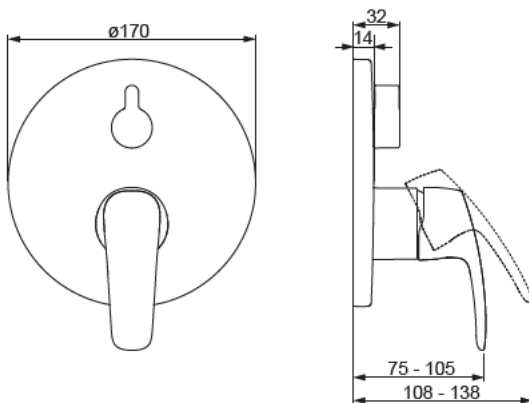
EN 817
50 - 1000 kPa
0.35 / 0.35 l/s (300 kPa)
max. +90°C



mpi.hansa.com/85269183

8528 3083

EN 817
50 - 1000 kPa
0.35 / 0.35 l/s (300 kPa)
max. +90°C

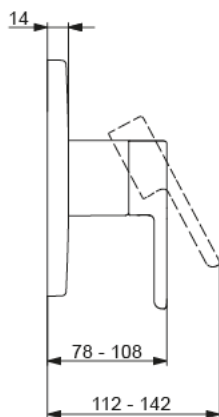
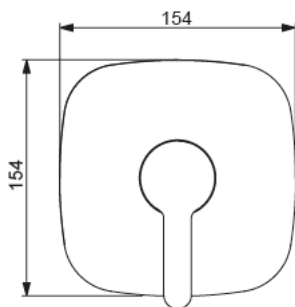


mpi.hansa.com/85283083



8110 9593

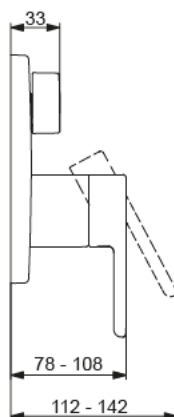
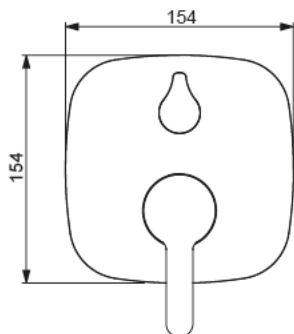
I (ISO 3822)
EN 817
50 - 1000 kPa
0.29 l/s (300 kPa)
max. +90°C



mpi.hansa.com/81109593

8111 9593

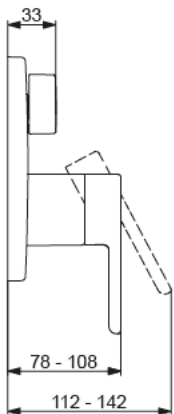
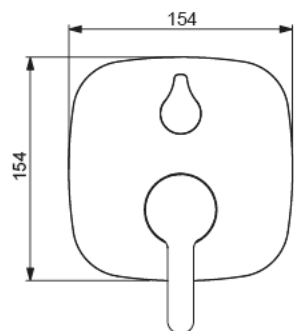
I (ISO 3822)
EN 817
50 - 1000 kPa
0.34 / 0.32 l/s (300 kPa)
max. +90°C



mpi.hansa.com/81119593

8111 3593

I (ISO 3822)
EN 817
50 - 1000 kPa
0.34 / 0.2 l/s (300 kPa)
300 kPa (0.2 l/s)
300 kPa (0.3 l/s)
max. +90°C

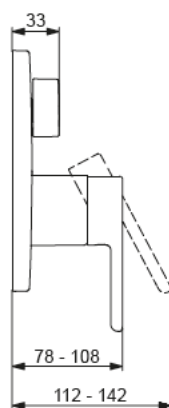
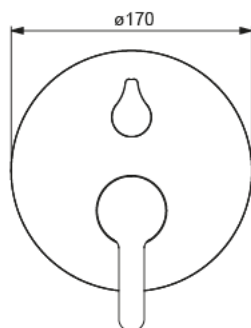


mpi.hansa.com/81113593



8111 9563

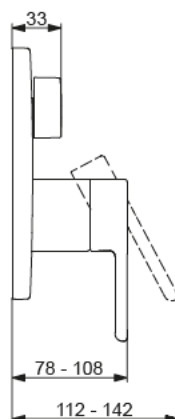
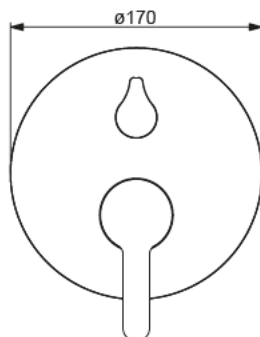
I (ISO 3822)
 EN 817
 50 - 1000 kPa
 0.34 / 0.2 l/s (300 kPa)
 300 kPa (0.2 l/s)
 300 kPa (0.3 l/s)
 max. +90°C



mpi.hansa.com/81119563

8111 3563

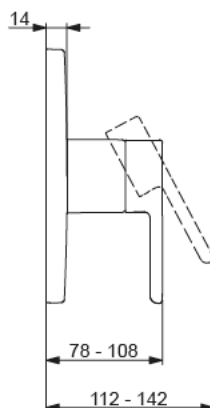
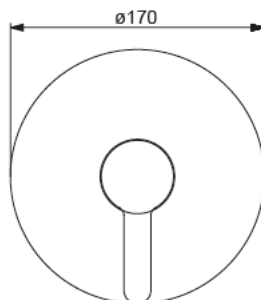
I (ISO 3822)
 EN 817
 50 - 1000 kPa
 0.35 / 0.35 l/s (300 kPa)
 300 kPa (0.2 l/s)
 300 kPa (0.3 l/s)
 max. +90°C



mpi.hansa.com/81113563

8110 9563

I (ISO 3822)
 EN 817
 50 - 1000 kPa
 0.37 l/s (300 kPa)
 300 kPa (0.2 l/s)
 max. +90°C

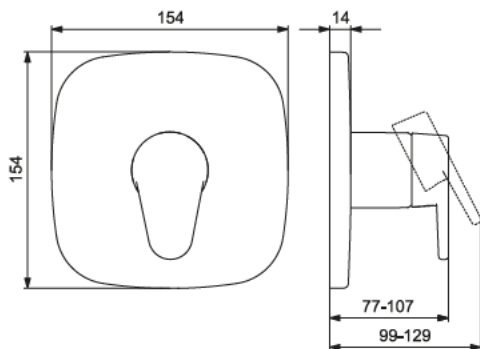


mpi.hansa.com/81109563



8064 9013

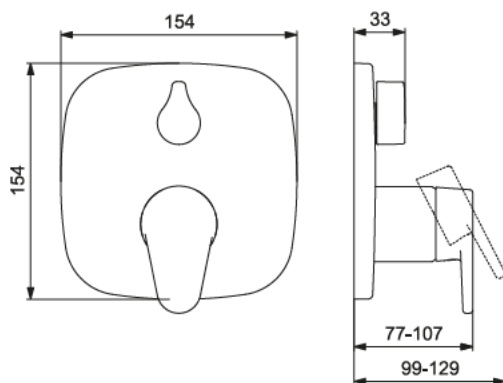
I (ISO 3822)
EN 817
100 - 1000 kPa
0.37 l/s (300 kPa)
max. +90°C



mpi.hansa.com/80649013

8063 9013

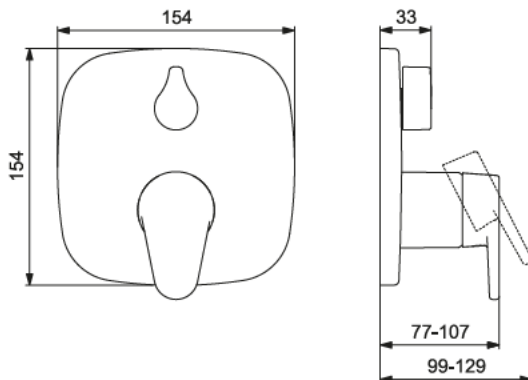
I (ISO 3822)
EN 817
100 - 1000 kPa
0.35 / 0.35 l/s (300 kPa)
max. +90°C



mpi.hansa.com/80639013

8063 3013

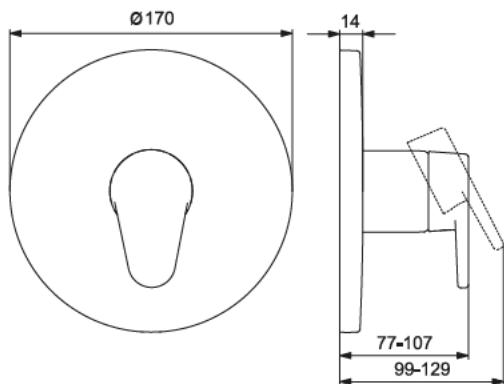
EN 817
50 - 1000 kPa
0.35 / 0.35 l/s (300 kPa)
max. +90°C



mpi.hansa.com/80633013

**8064 9003**

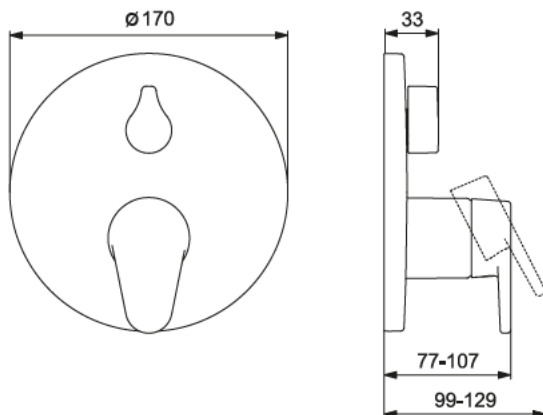
EN 817
50 - 1000 kPa
0.37 l/s (300 kPa)
max. +90°C



mpi.hansa.com/80649003

8063 9003

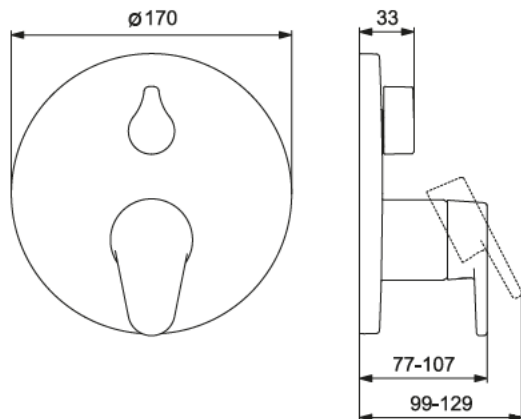
EN 817
50 - 1000 kPa
0.35 / 0.35 l/s (300 kPa)
max. +90°C



mpi.hansa.com/80639003

8063 3003

EN 817
50 - 1000 kPa
0.35 / 0.35 l/s (300 kPa)
max. +90°C

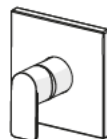
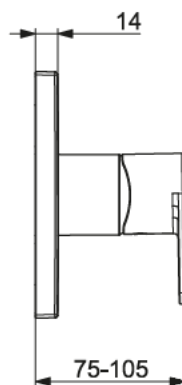
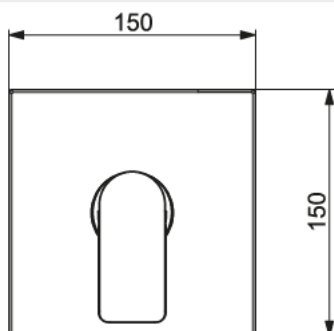


mpi.hansa.com/80633003



8785 9073

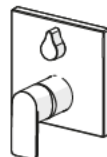
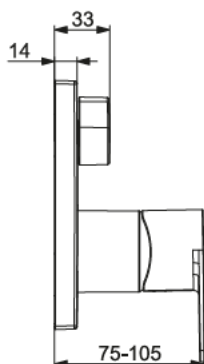
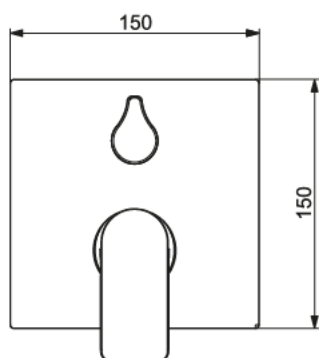
I (ISO 3822)
EN 817
50 - 1000 kPa
0.29 l/s (300 kPa)
max. +80°C



mpi.hansa.com/87859073

8784 9073

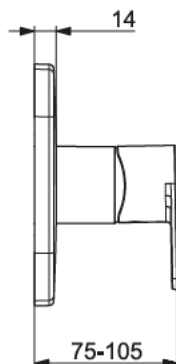
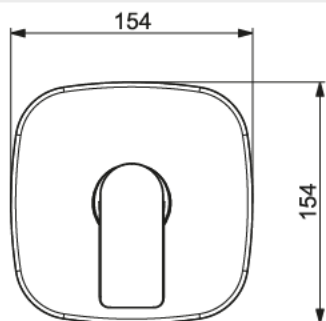
I (ISO 3822)
EN 817
50 - 1000 kPa
0.34 l/s / 0.32 l/s (300 kPa)
max. +80°C



mpi.hansa.com/87849073

8785 9173

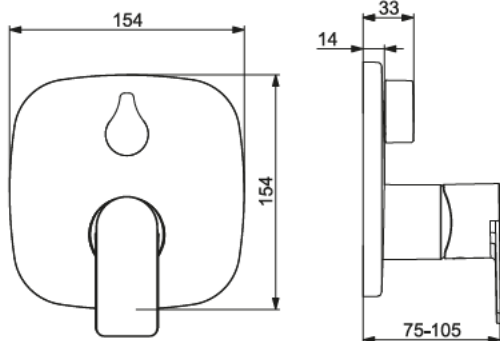
I (ISO 3822)
EN 817
50 - 1000 kPa
0.29 l/s (300 kPa)
max. +80°C



mpi.hansa.com/87859173

**8784 9173**

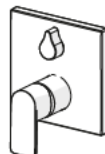
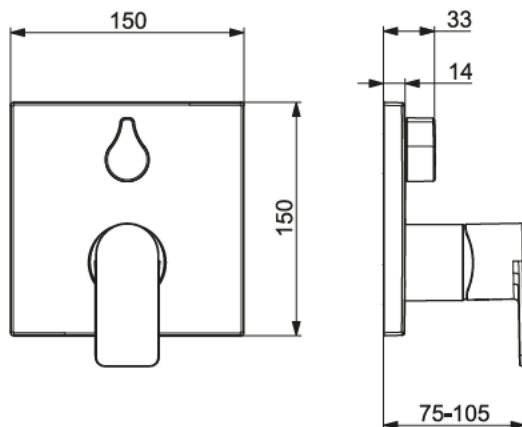
I (ISO 3822)
EN 817
50 - 1000 kPa
0.34 l/s / 0.32 l/s (300 kPa)
max. +80°C



mpi.hansa.com/87849173

8784 3073

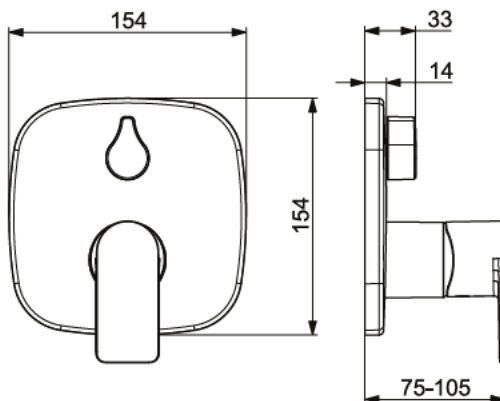
I (ISO 3822)
EN 817
50 - 1000 kPa
max. +80°C



mpi.hansa.com/87843073

8784 3173

I (ISO 3822)
EN 817
50 - 1000 kPa
max. +80°C



mpi.hansa.com/87843173

Oras Group is a powerful European provider of sanitary fittings: the market leader in the Nordics and a leading company in Continental Europe. The company's mission is to make the use of water easy and sustainable and its vision is to become the European leader of advanced sanitary fittings. Oras Group has two strong brands: Oras and Hansa.

The Group's head office is located in Rauma, Finland, and the Group has three manufacturing sites: Kralovice (Czech Republic), Olesno (Poland) and Rauma (Finland). Oras Group employs approximately 1,200 people in twenty countries. Oras Group is owned by Oras Invest, a family company and an industrial owner.

HANSA Armaturen GmbH
P. O. BOX 81 02 40
D-70519 Stuttgart
Sigmaringer Strasse 107
D-70567 Stuttgart
Tel.: +49 711 16 14 0
Fax: +49 711 16 14 368
info@hansa.de
www.hansa.com

