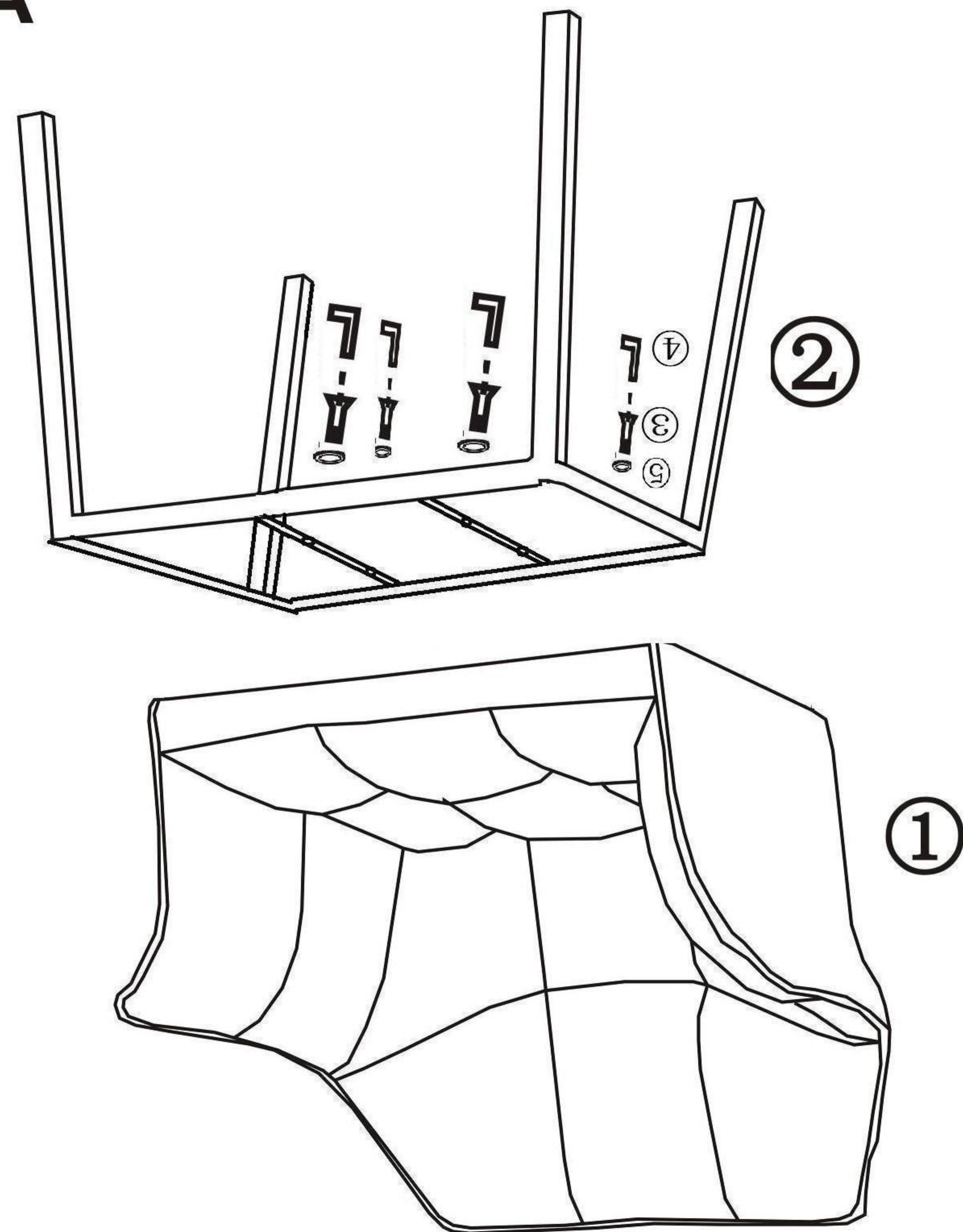
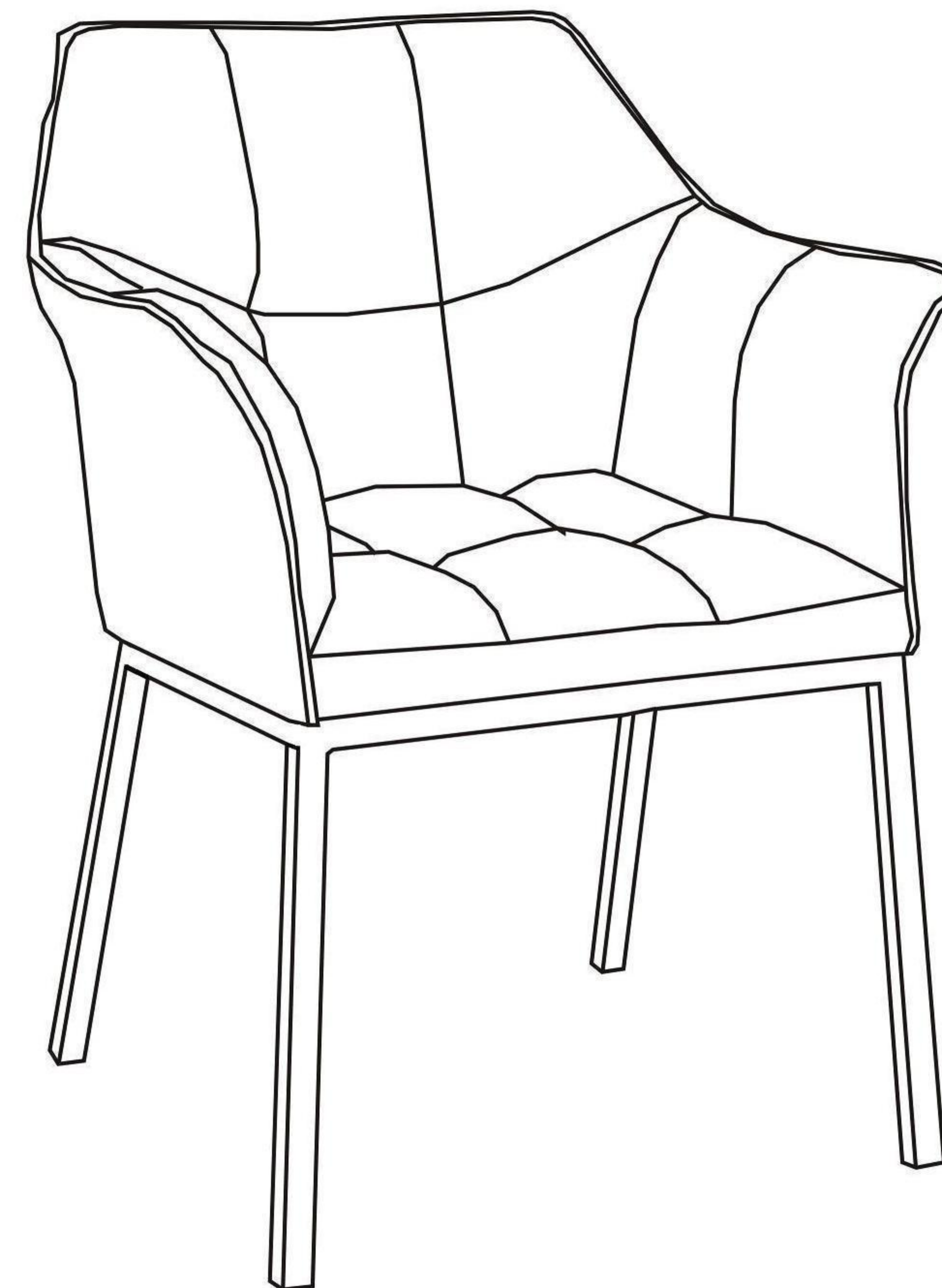


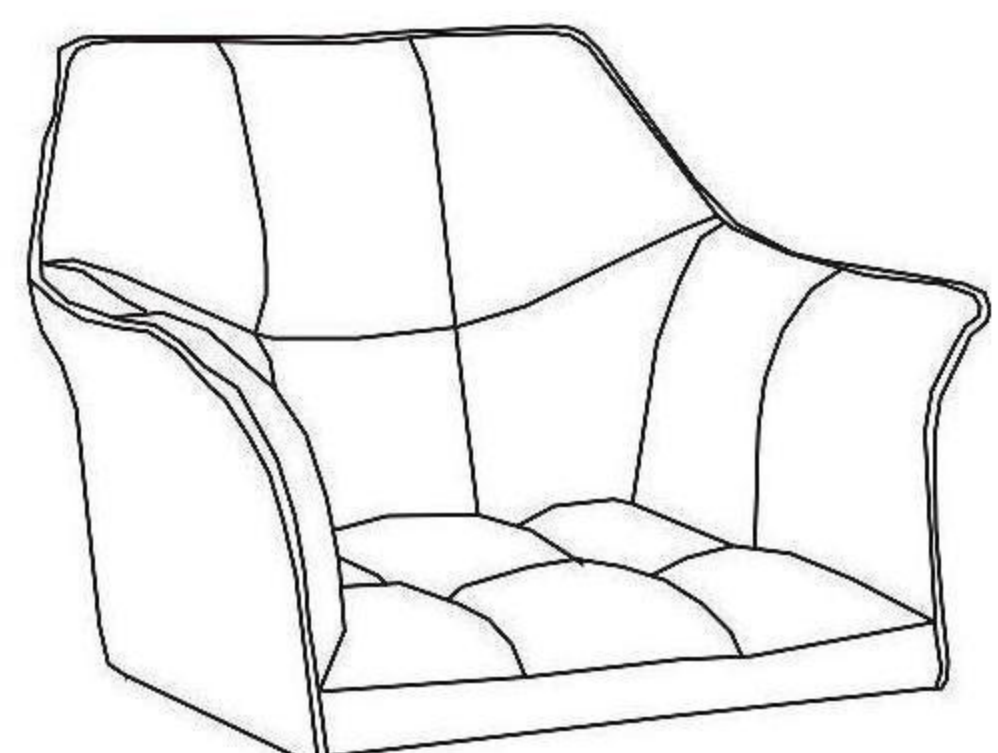
STEP A



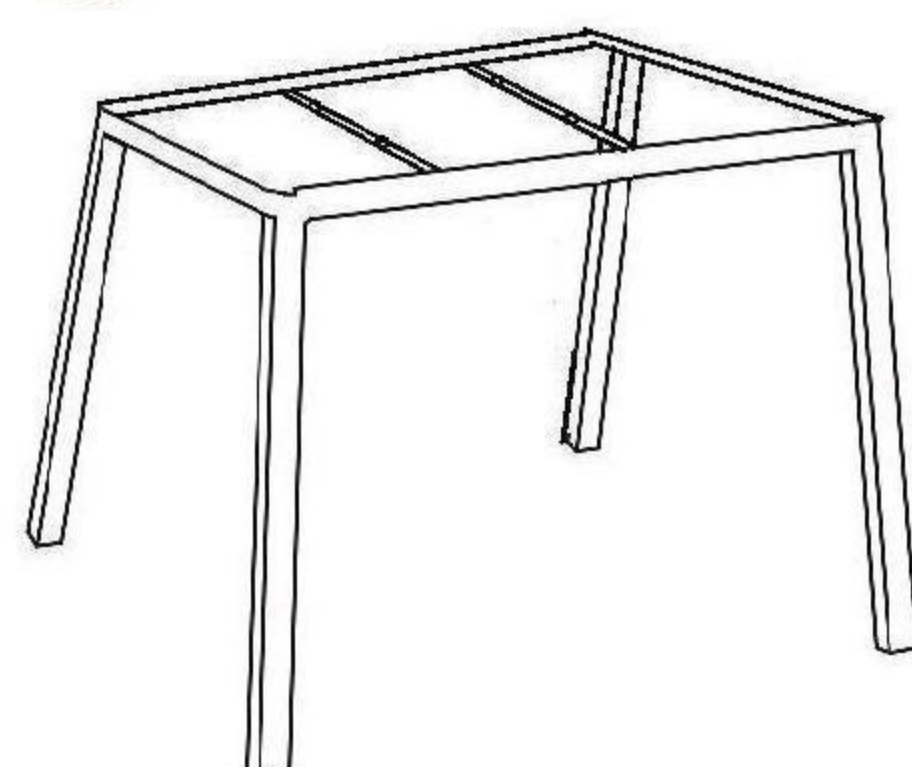
STEP B



①



②



③



M6x25x4Pcs

④



Φ4x1Pcs

⑤



Φ18*2*Φ8*3PCS