

**DE** Montageanleitung

**EN** Mounting instruction

**ES** Instrucciones de instalación

**FR** Instructions d'installation

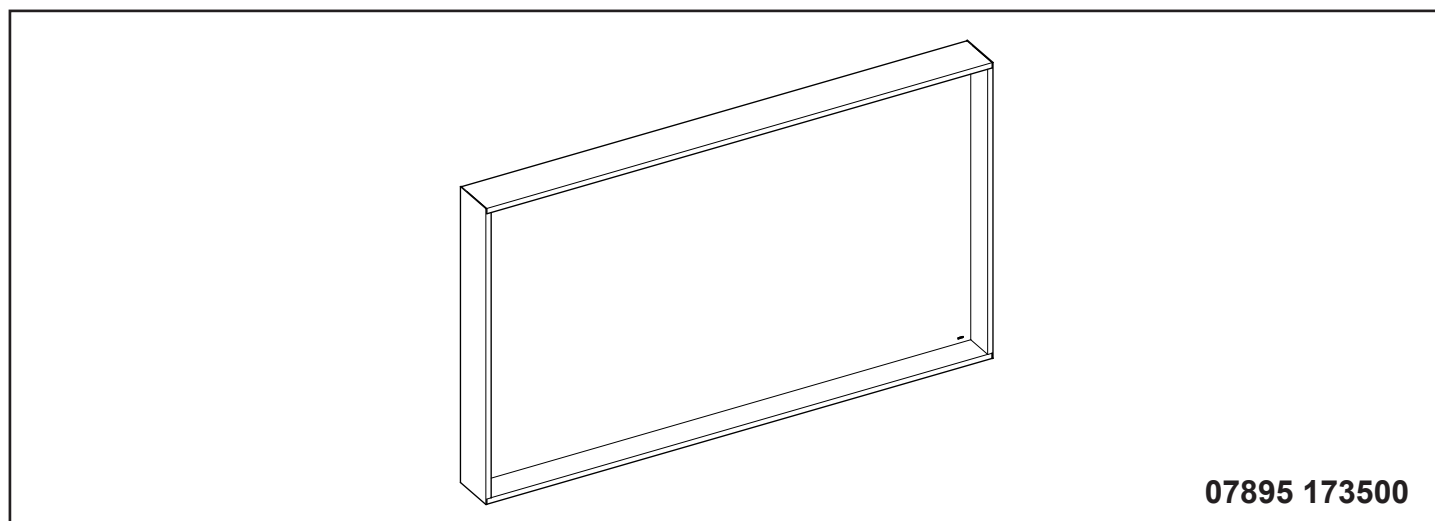
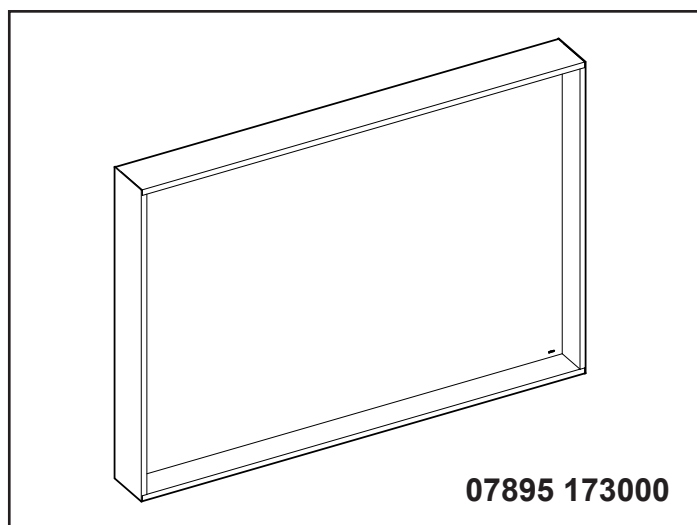
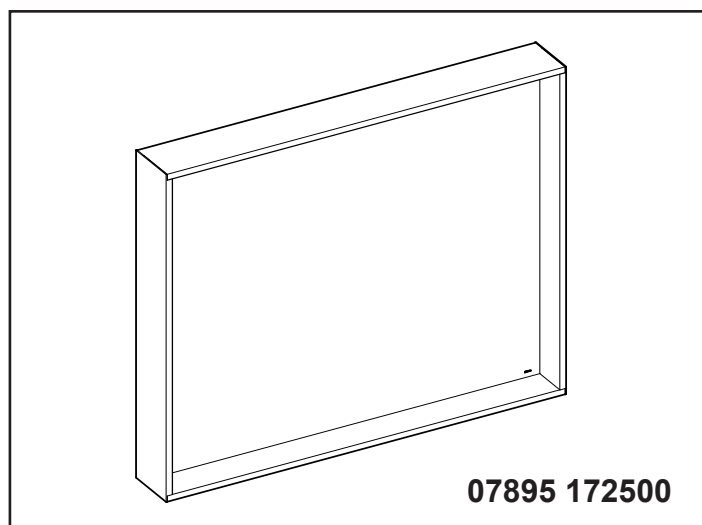
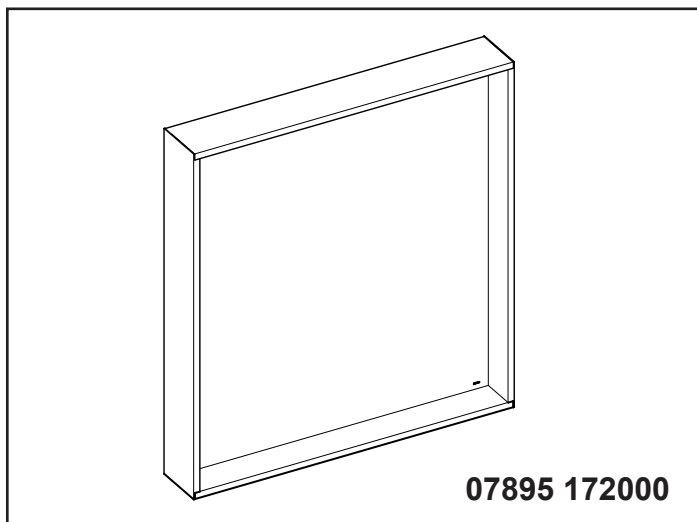
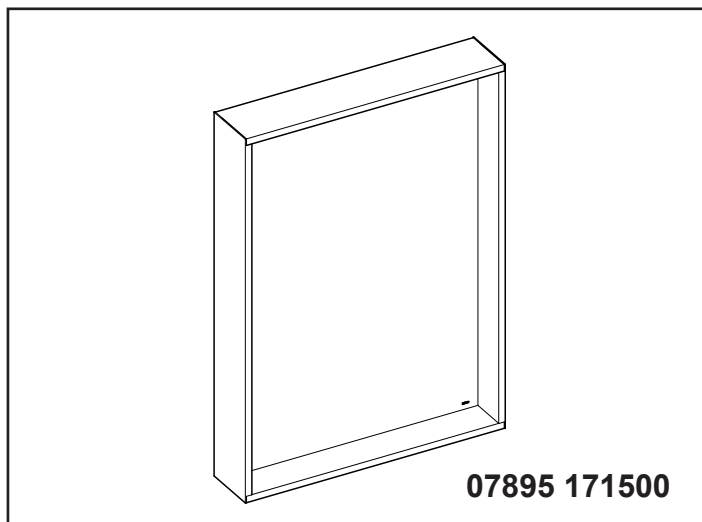
**IT** Istruzioni per l'installazione

**NL** Montagehandleiding

**CS** Návod k instalaci

**PL** Instrukcja montażu

**RU** Инструкция по монтажу



**DE** Einbaumaße

**FR** Dimensions de montage

**CS** Montážní rozměry

**EN** Mounting dimensions

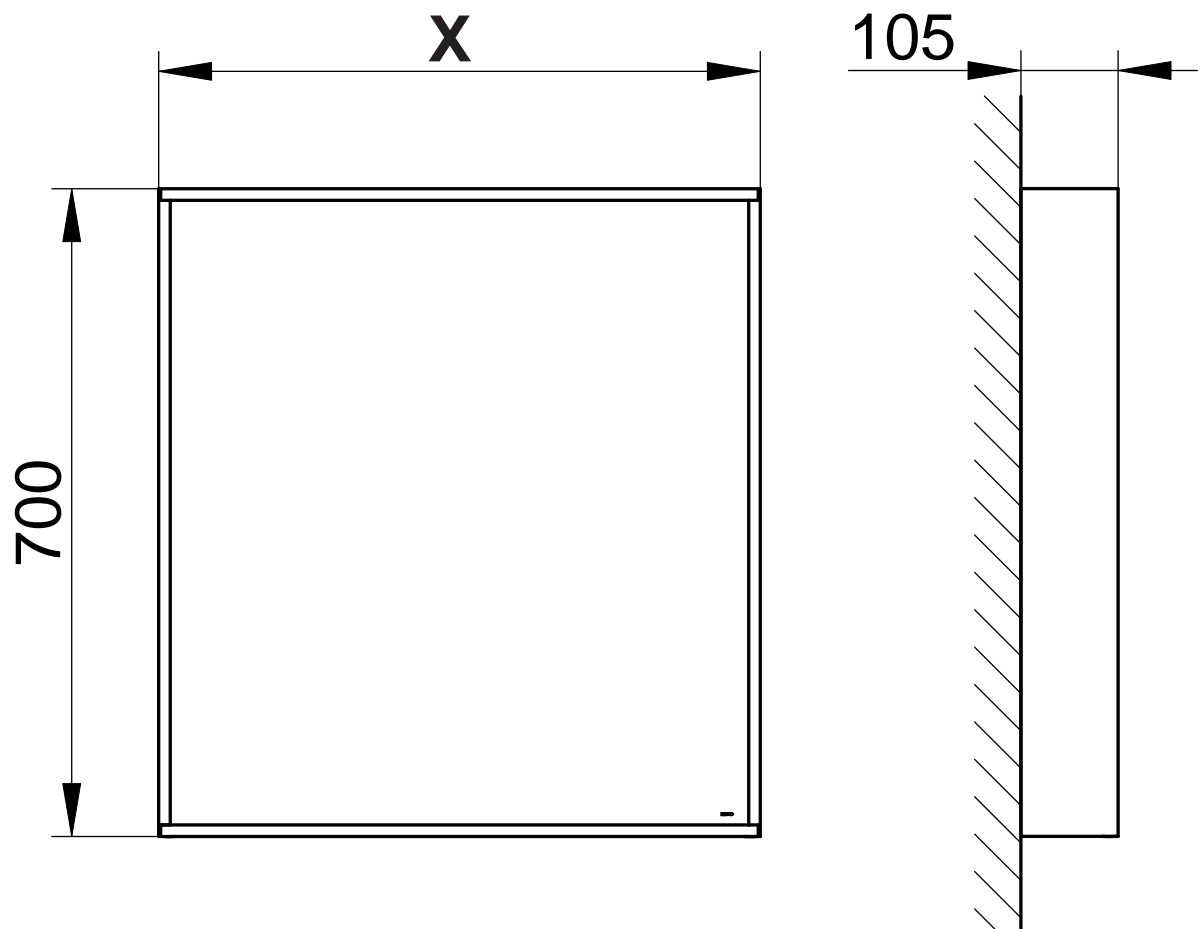
**IT** Dimensioni di montaggio

**PL** Wymiary montażowe

**ES** Dimensiones de montaje

**NL** Montageafmetingen

**RU** Установочные размеры

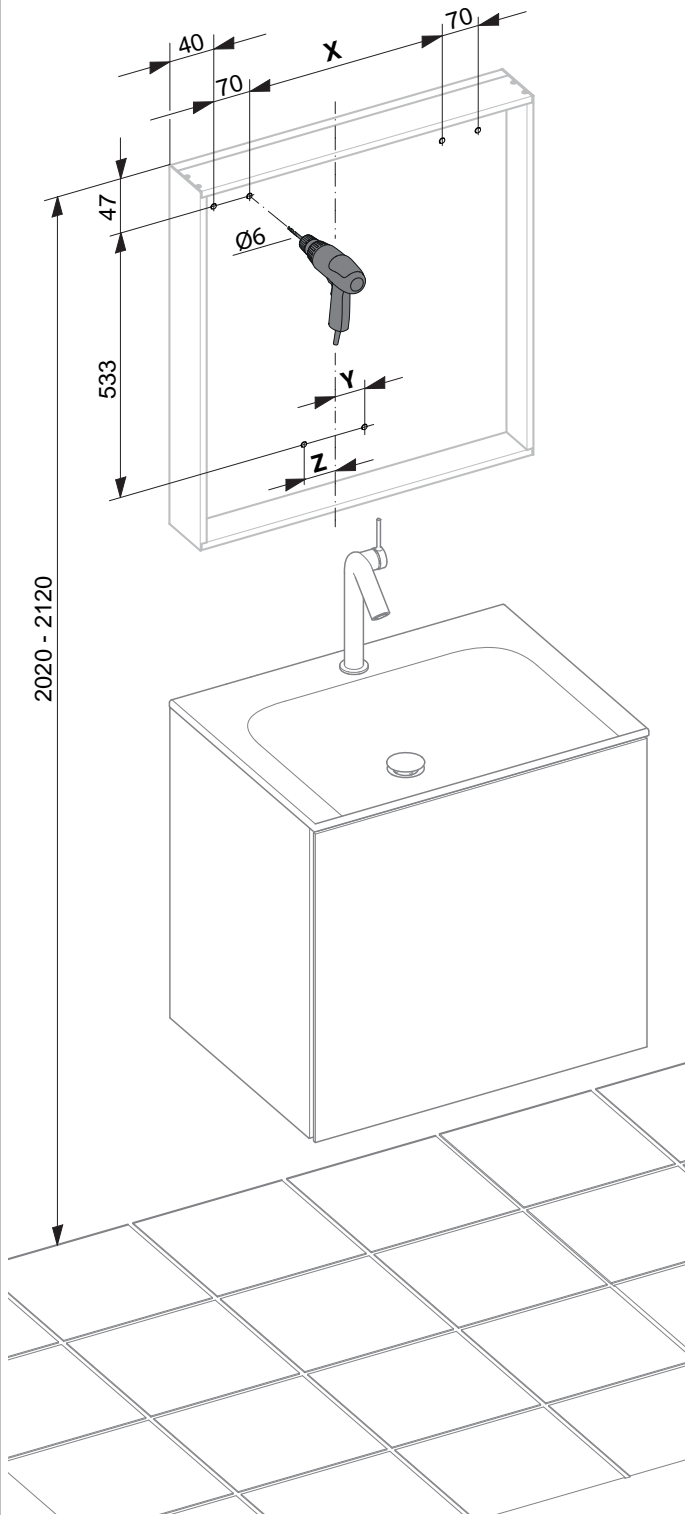
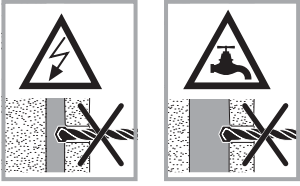


07895	171500	172000	172500	173000	173500
X	500	650	800	1000	1200



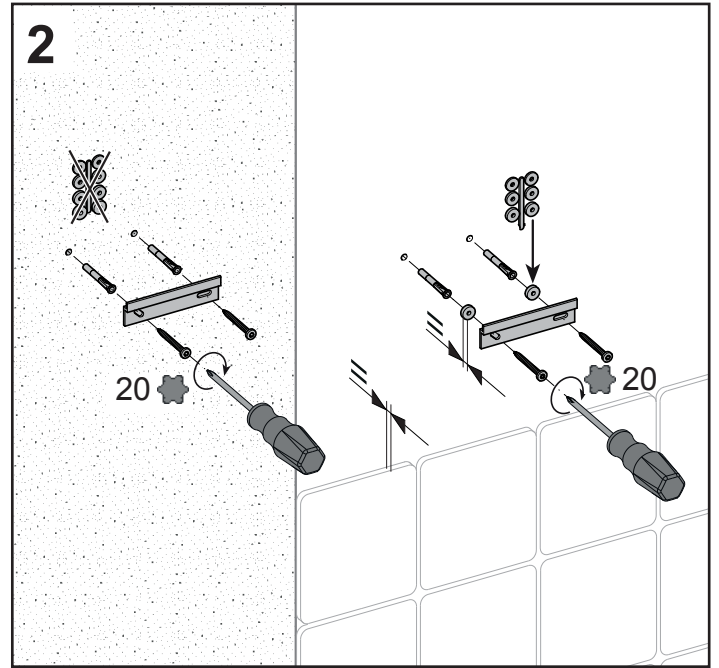
A series of horizontal lines for writing, consisting of 20 evenly spaced lines that span the width of the page.

1

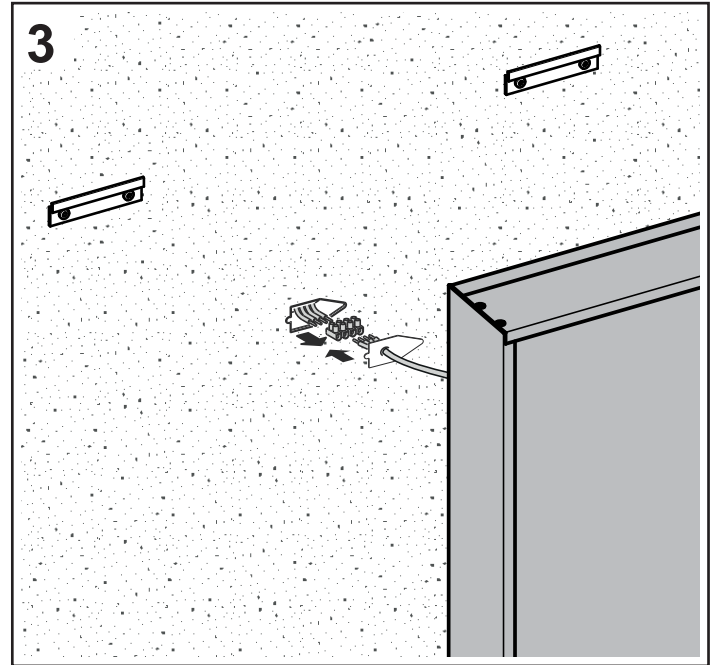


07895	171500	172000	172500	173000	173500
X	280	430	580	780	980

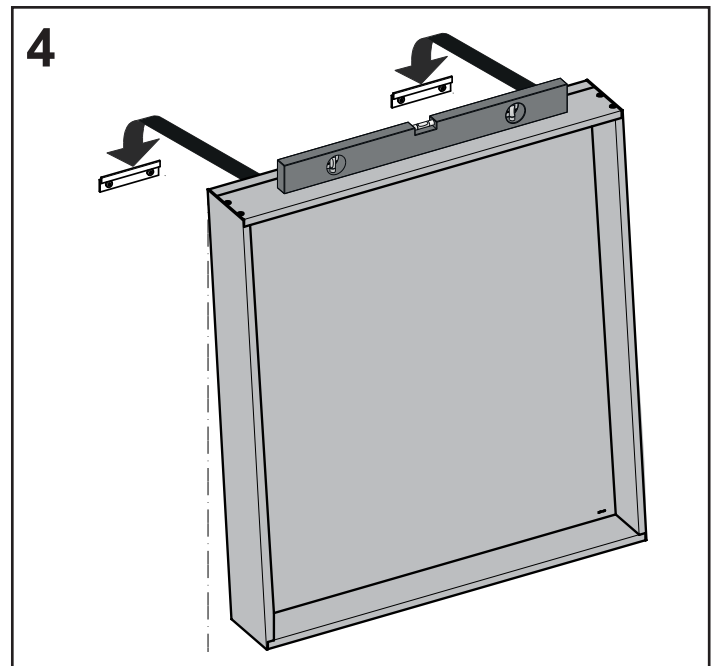
2

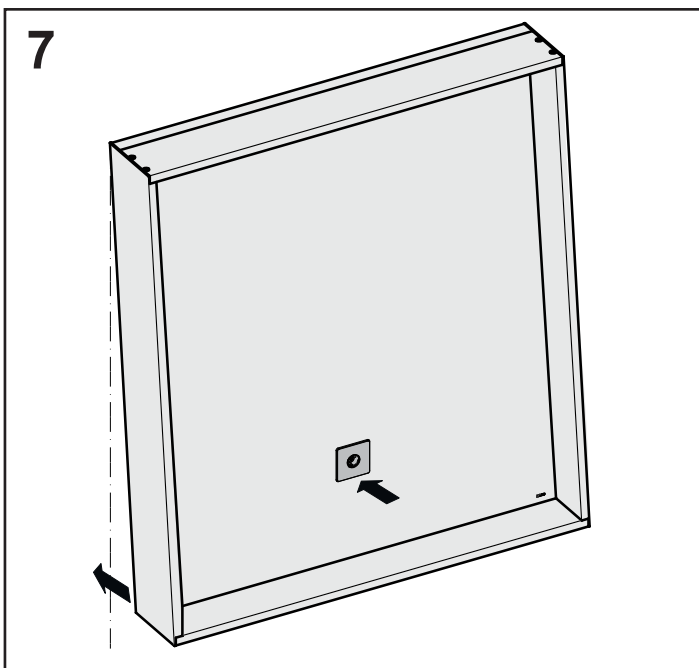
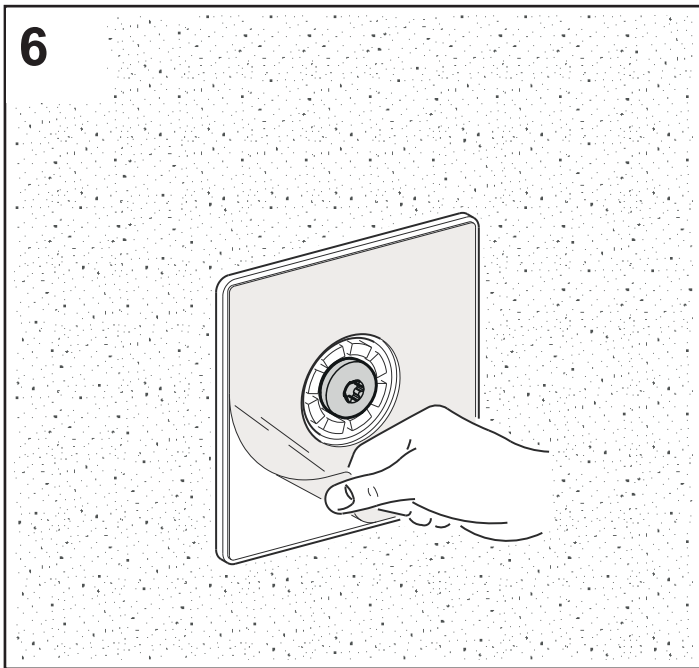
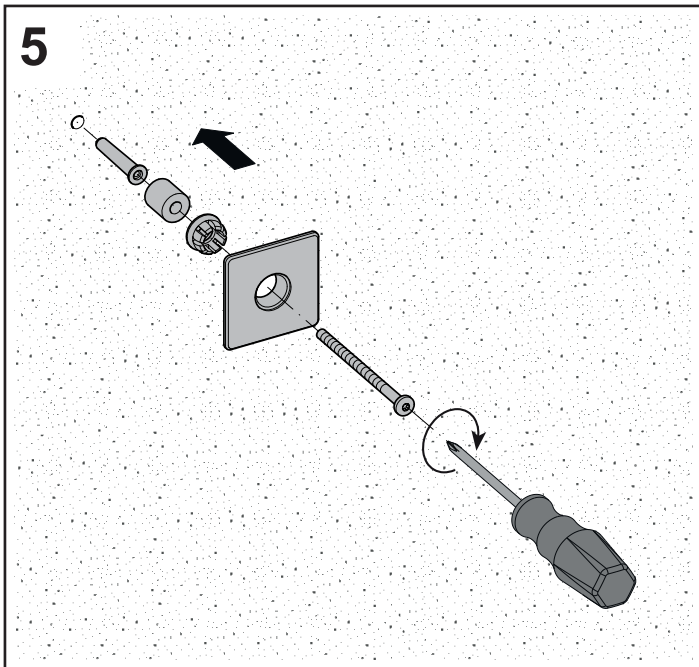


3



4







A series of horizontal lines for writing, consisting of 20 evenly spaced lines that span the width of the page.

**DE** Ersatzteile

**FR** Liste de pièces

**CS** Sada náhradních

**EN** Spare parts

**IT** Elenco delle parti

**PL** Zestaw części

**ES** Piezas de recambio

**NL** Onderdelen

**RU** Запчасти

