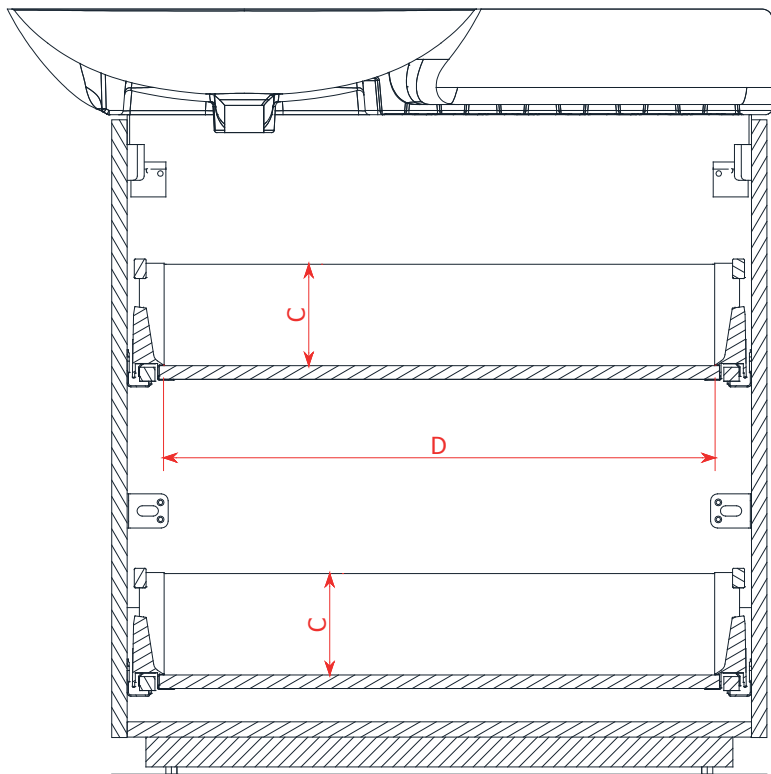
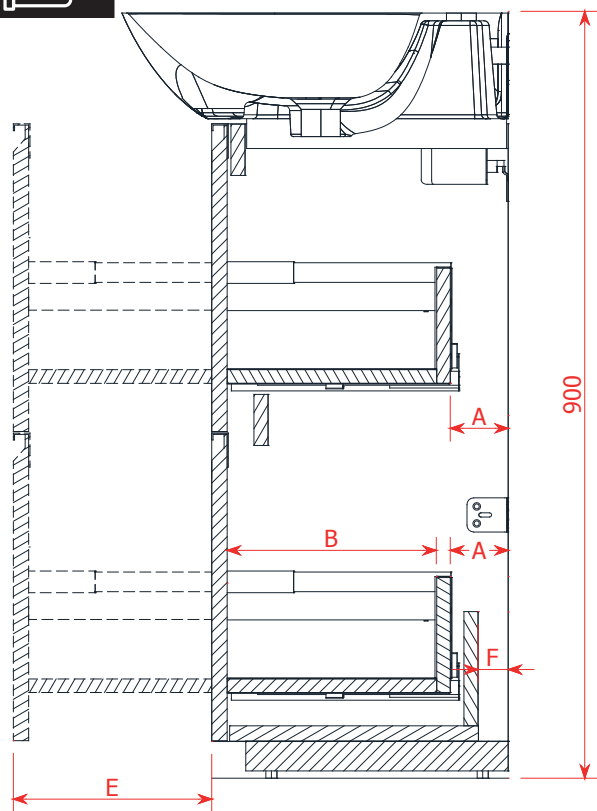
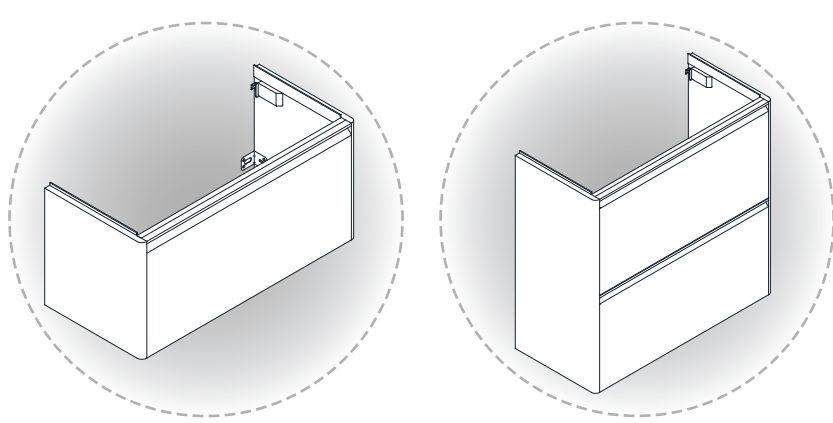


# LAUFEN

BASE for INO

Service



	"A" in mm	"B" in mm	"C" in mm	"D" in mm	"E" in mm	"F" in mm
4.0300.1	67	276	119	648	240	35
4.0300.3	67	276	119	648	240	35
4.0300.2	67	276	119	648	240	35
4.0300.4	67	276	119	648	240	35