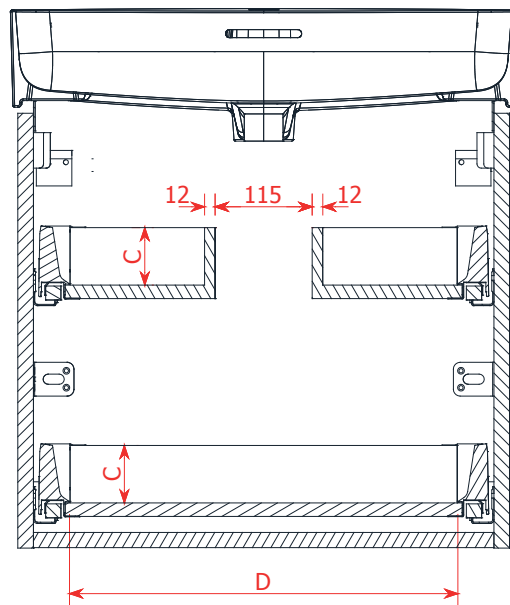
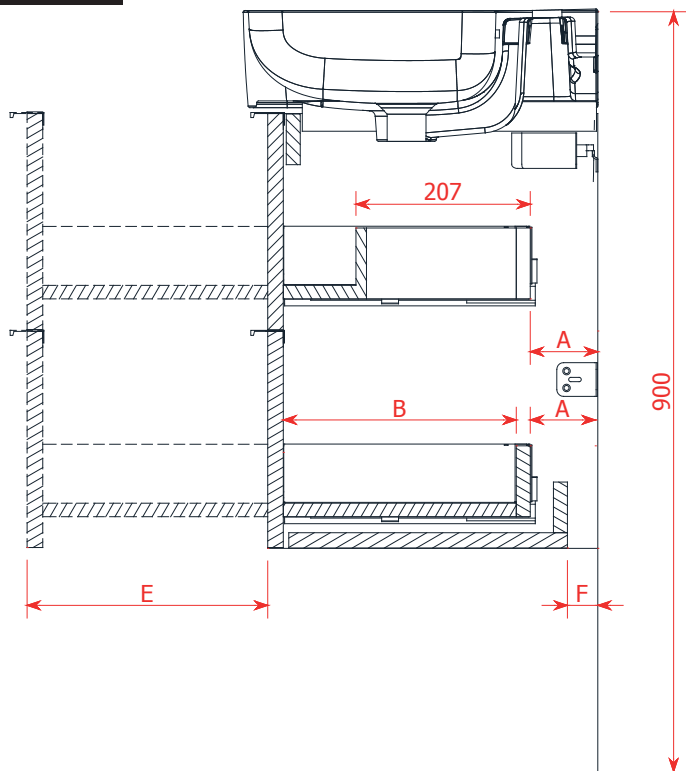
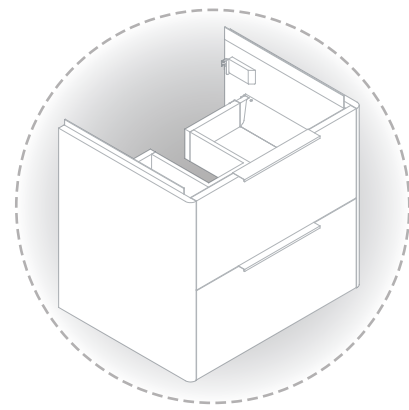


# LAUFEN

## BASE for VAL

Service



	"A" in mm	"B" in mm	"C" in mm	"D" in mm	"E" in mm	"F" in mm
4.0213.2	78	276	68	310	260	36
4.0219.2	78	276	68	410	260	36
4.0225.2	78	276	68	460	260	36
4.0231.2	78	276	68	512	260	36
4.0235.2	78	276	68	610	260	36
4.0241.2	78	276	68	807	260	36
4.0247.2	78	276	68	1.057	260	36
4.0253.4	78	276	68	468	260	36