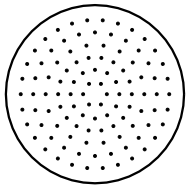


Soffione tondo in acciaio Ø300mm con **valvola di sicurezza**. Spessore 2 mm, limitatore 15 L/min.

*Round showerhead, stainless steel, Ø300 mm with safety valve. Thickness: 2 mm, 15 L/min limiter*

## SPECIFICHE - SPEZIFIKATIONEN - SPECIFICATIONS - SPÉCIFICATIONS



Ø300 mm



Safety Valve



AISI304



CR  
Cromo - Chrom  
Chrome - Chromé



5 Years



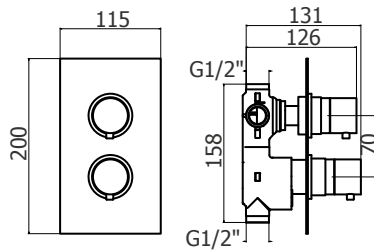
Rain



108

## PORTATA - DURCHFLOSSDIAGRAM - WATER FLOW - DÉBIT D'EAU

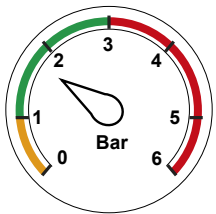
15  
l/min



Miscelatore termostatico incasso 2 uscite.

*2-outlet thermostatic mixer for concealed installation.*

## SPECIFICHE - SPEZIFIKATIONEN - SPECIFICATIONS - SPÉCIFICATIONS



min 1Bar  
Max 3Bar



Max 70°C



Ottone - Messing  
Brass - Laiton



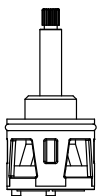
CR  
Cromo - Chrom  
Chrome - Chromé



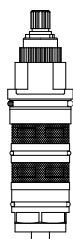
5 Years

## PORTATA - DURCHFLUSSDIAGRAM - WATER FLOW - DÉBIT D'EAU

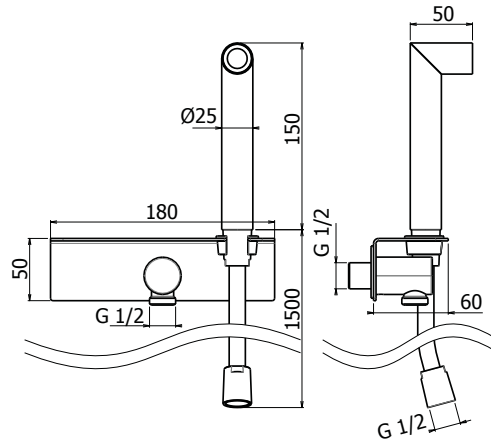
## RICAMBI - ERSATZTEILE - SPARE PARTS - PIÈCES DÉTACHÉES



DEV3008



CAR2002



Kit doccia a parete con flessibile da 150cm, doccetta a L e supporto.

Wall-mounted shower kit with flexible hose 150cm, L-shaped stainless steel handshower and right bracket

## SPECIFICHE - SPEZIFIKATIONEN - SPECIFICATIONS - SPÉCIFICATIONS



AISI304



**IN**  
**Inox**  
**Edelstahl**  
**Stainless Steel**  
**Acier inoxydable**



**5 Years**



**150 cm**

## PORTATA - DURCHFLOSSDIAGRAM - WATER FLOW - DÉBIT D'EAU