

Phare Lamp



Lamp

Home Accessories—Product Sheet
menu.as

by Stanisław Czarnocki



Phare LED Lamp

Product Type

Lamp

Production Process

Casted Aluminum, Blow moulded plastic

Dimensions (cm / in)

H: 23 cm / 9,1"

W: 13 cm / 5,1"

D: 13,5 cm / 5,3"

Materials

Powder Coated Aluminum, Polycarbonate & LED

Colours

Burned Red

Light Grey

Black

Voltage (V)

220-240V

Light source & Energi efficiency class

Battery

7 V, 2200 MAh

Light Source

LED, 2,8W, 2700K og A+

Clasification

IP20

Certifications

EN 62471:2008, EN 62493:2010,

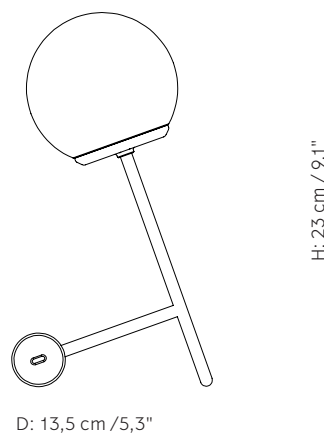
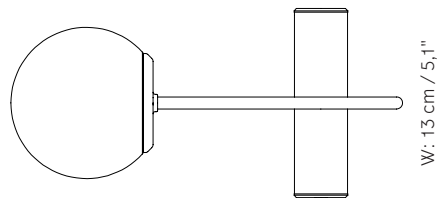
EN 55015:2013, EN 61547: 2009.

Cord length / diameter (cm / in)

70cm / 27,6"

Care Instructions

Use a soft dry cloth to clean. Do not use any cleaners with chemicals or harsh abrasives. Avoid using water.



Designed for apartment no. 50 at Le Corbusier's 'Cit  Radiouse' in Marseille, the Phare Lamp's aesthetic was centred on the idea to create a fully recyclable product that would become a versatile everyday companion; one that could correspond to the landmark's style and improve its inhabitant's daily comfort.

While the building's flat roof caters to social needs, it lacks built-in lighting, which is where the Phare lamp provides a remedy: lightweight and simple to transport, the design and materials take its inspiration from Cit  Radiouse's roof construction. Crafted out of aluminium for 100% recyclability, durability and lightness, the lamp's sphere/shade, meanwhile, is made from injected plastic, offering long-term durability and safety (both for the lamp and user). Its design is the result of a reduction process that focused on adding in all necessary parts without adding too much. Rather, by omitting superfluous or decorative elements, only its function gives it its formal language.

Phare transforms into a daily companion that can be freely placed, hung or taken outside as long as conditions are dry according to need. Whether standing or hanging, Phare is not a lamp to be utilised in merely one spot, but celebrated for its versatility. It's simple good taste and composition will suit all residences - from Le Corbusier's establishment to a contemporary, urban flat, Phare stands in opposition to the planned obsolescence of products to serve and live longer.

About the Designer

Warsaw-based design studio Umiar believes in the true value of "normal" objects - clear and functional forms, following a transparent process that pay close attention to every detail; the essence of what makes objects good to live with. Working on projects that focus on lengthy research, human well-being is at the heart of what Umiar does and successfully so.

Phare LED Lamp



Burned Red
1755349



Light Grey
1755139



Black
1755539