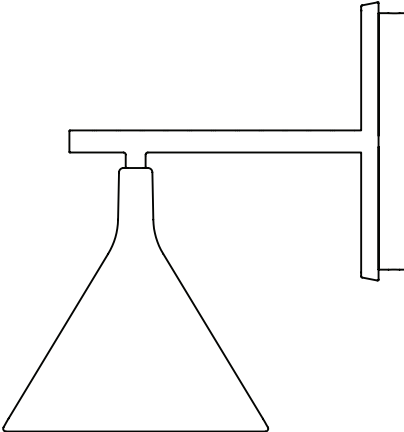
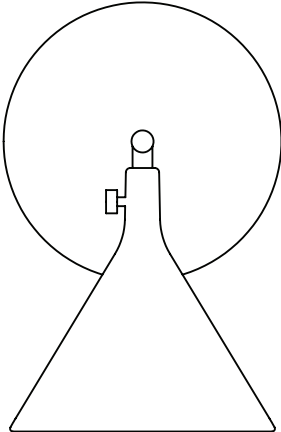


Cast Sconce

by Tom Chung & Jordan Murphy



Congratulations:

Congratulations on your new lamp designed by Tom Chung & Jordan Murphy. We hope you will enjoy using this lamp and follow these instructions to ensure correct installation. These instructions are provided for your safety. It is important that the instructions are read carefully and completely before assembling.

Cast Sconce, Black.

200 cm Soft PVC Cord w.o. dimmer.

G9 Bulb (Included).

Technical details:

Ball blasted casted lamp shade with black painting.

Ball blasted casted base with black painting.

Brass tube bracket with satin polishing/wax protected.

Brass deco Knob with satin polishing/wax protected.

Aluminum reflector.

200 cm Soft PVC cable.

G9 lamp holder (Bulb included: G9 2.5 W, 2800 K)

The Lamp Range is tested according to Ceiling/Pendant lamp: EN 60598-2-1 Bulb: EN 62560 EMC: EN 55015, EN 61547, EN 61000-3-2, EN 61000-3-3

Please check the specific rules for electrical installation work in your country.

Some countries may require an authorised electrical contractor.

IMPORTANT

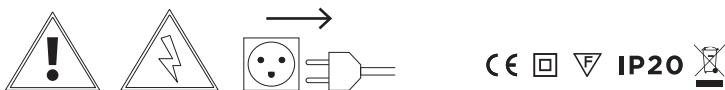
If you have any problems regarding the electrical installation, contact a certified electrician. Always shut off power to the circuit before starting installation work. The external flexible cable or cord of this luminaire cannot be replaced. If the cord is damaged, the luminaire shall be destroyed.

Use screws and wall plugs that are suitable for the walls in your home. If you are uncertain as to which types of screws/wall plugs to use, you should ask your hardware store.

Care Instructions:

To clean simply wipe with a soft dry cloth. Turn off power before cleaning. Do not use any cleaners with chemicals, solvents, or harsh abrasives. The Brass parts are made off solid brass material. Solid Brass is a natural material, which will oxidize from the moment it is exposed to air. Therefore, you may discover that upon unpacking the lamp the brass base has already darkened. Oxidation is part of the lamps characteristics, however if you would like to maintain the shiny appearance, care instructions are below.

To keep the polished look—use a mild metal polish and a soft cloth, avoid using water

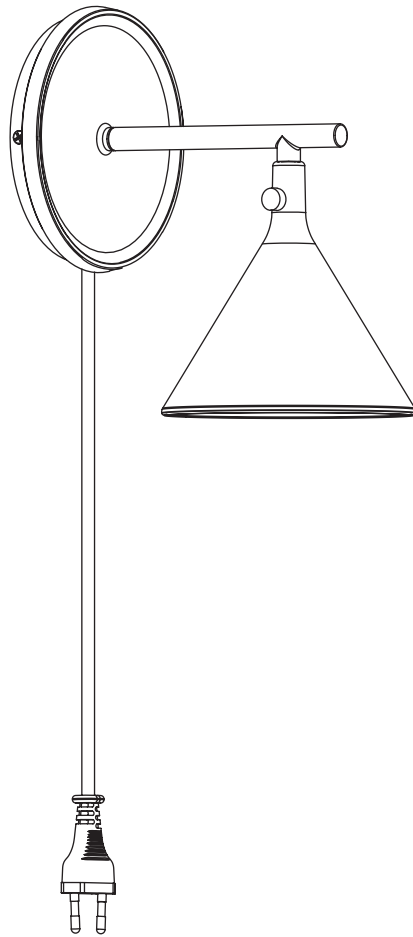




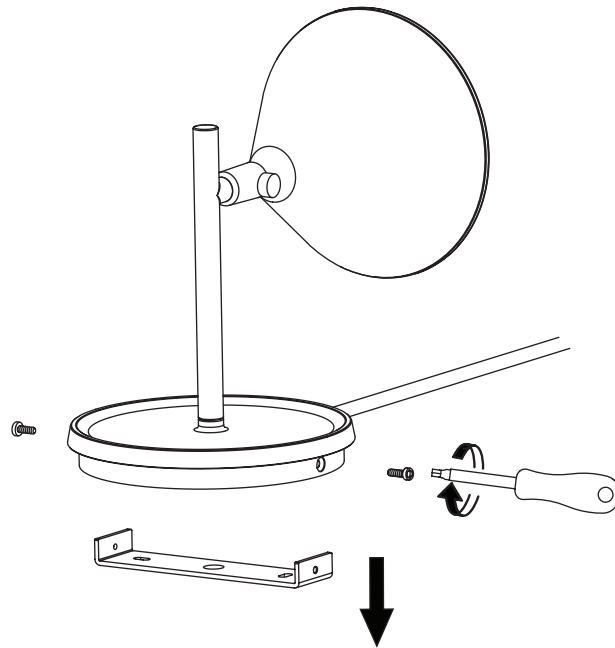
Correct Disposal of this product

This marking indicates that this product should not be disposed with other household wastes throughout the EU. To prevent possible harm to the environment or human health from uncontrolled waste disposal, recycle it responsibly to promote the sustainable reuse of material resources. To return your device, please use the return and collection system or contact the retailer where the product was purchased. They can take this product to environmentally safe recycling.

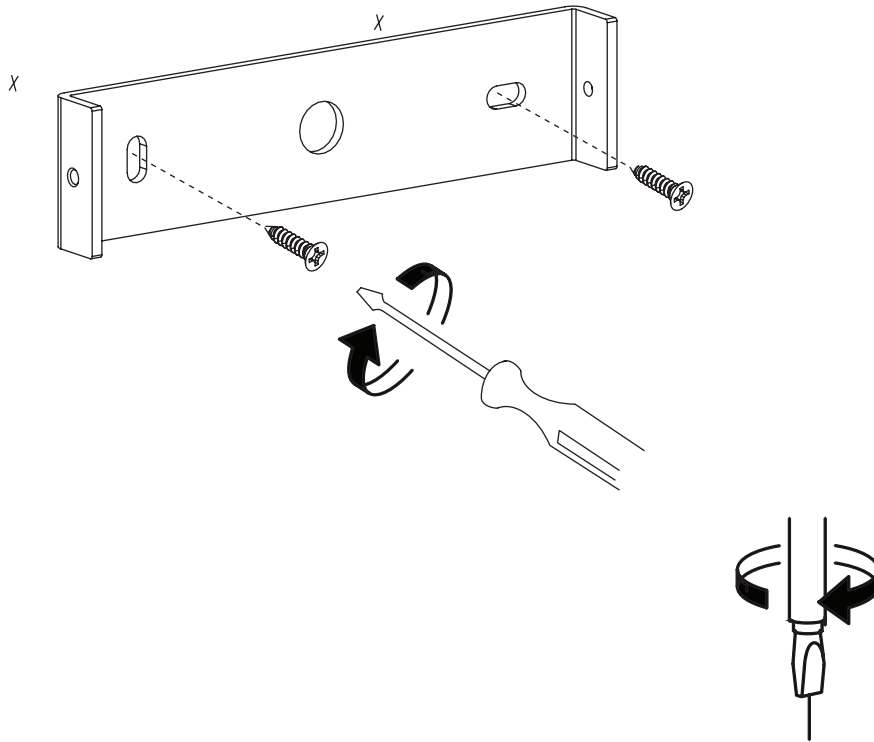
1



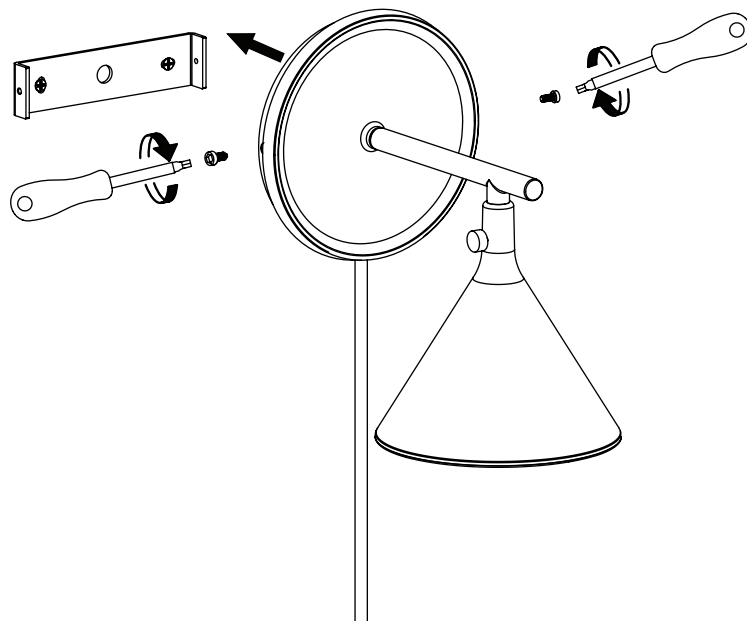
2



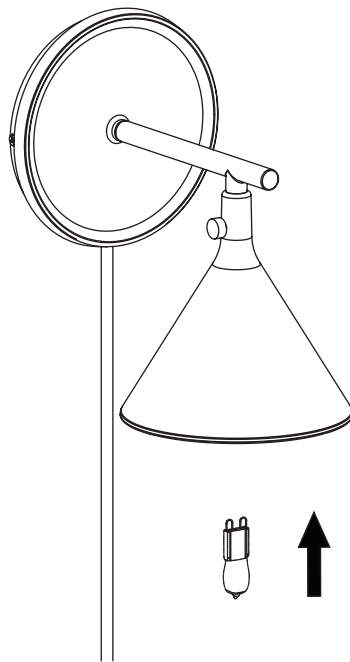
3



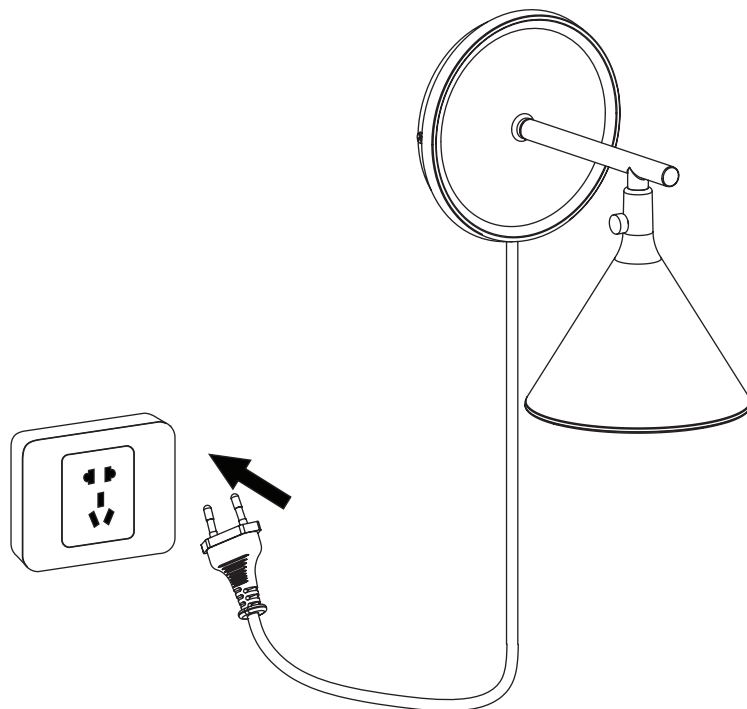
4



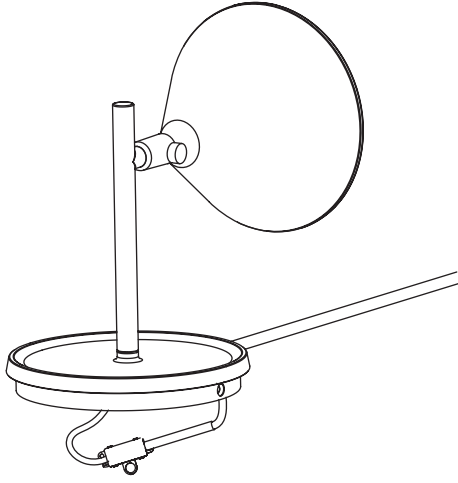
5



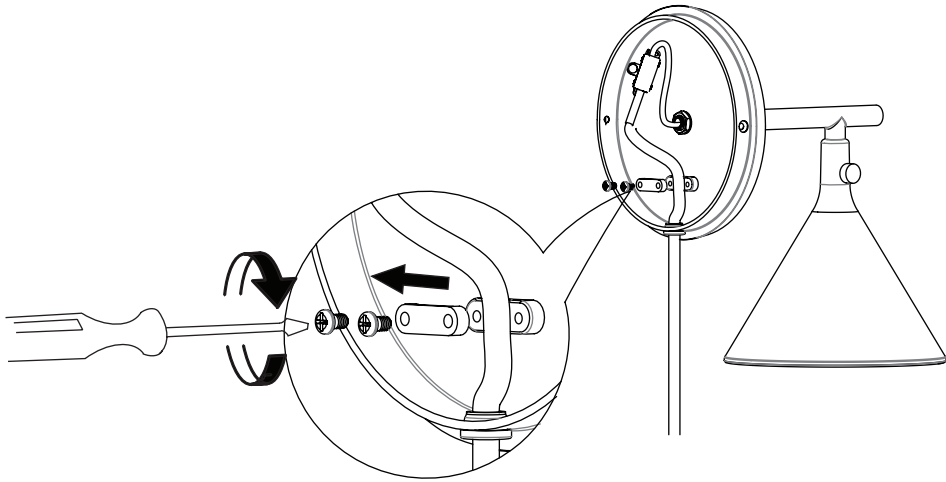
6

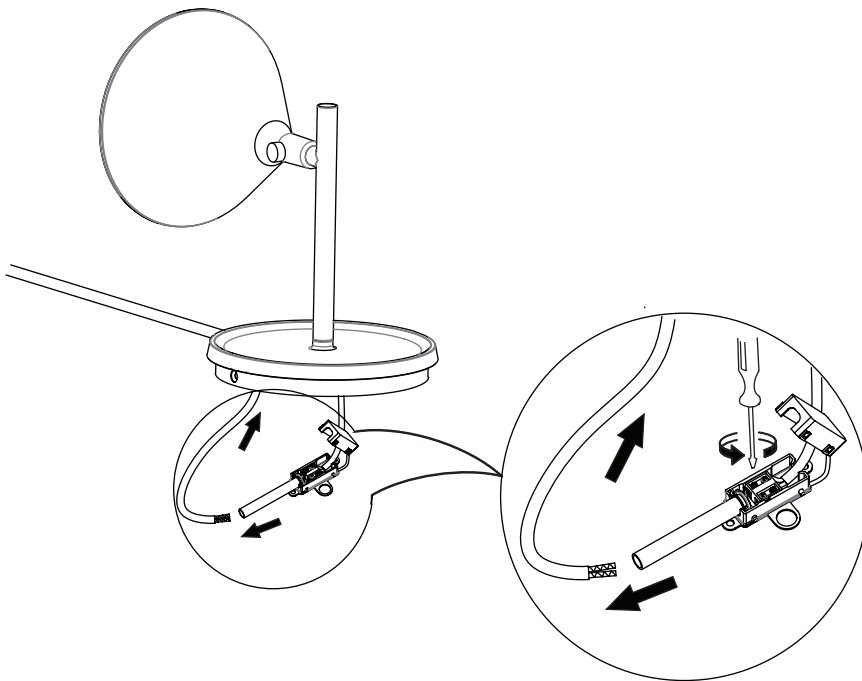
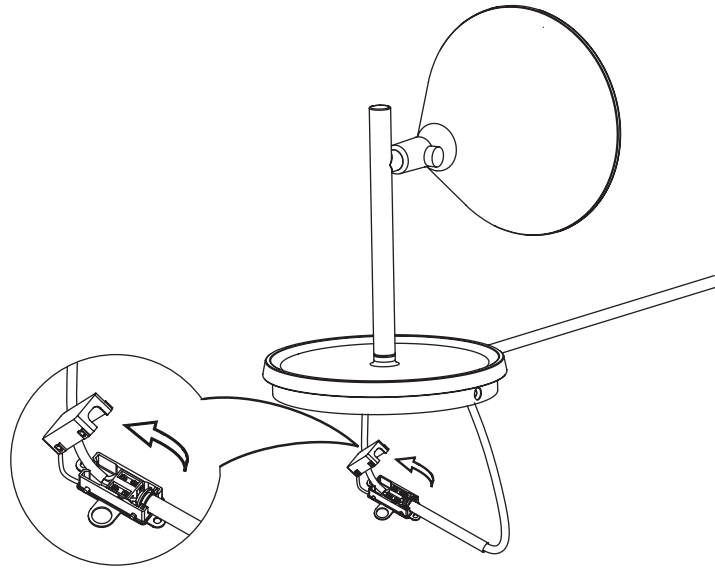


7

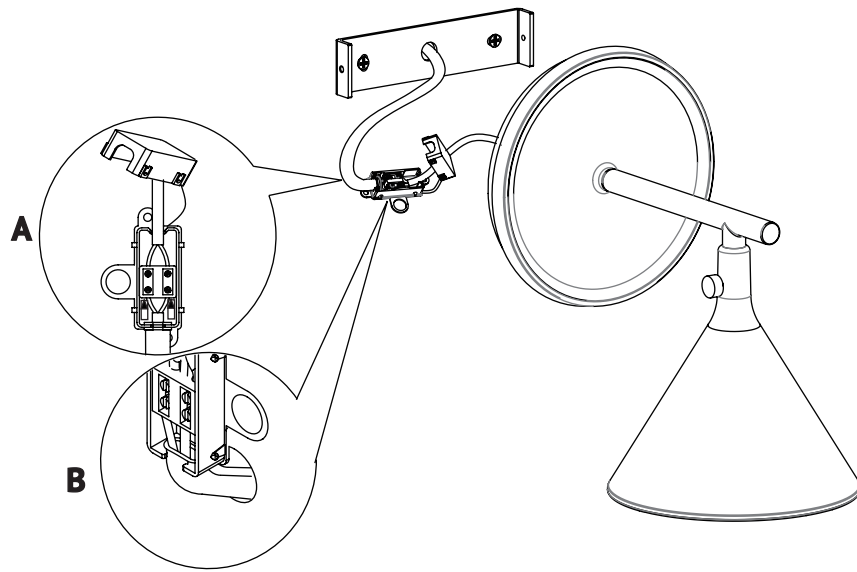


8





11



12

