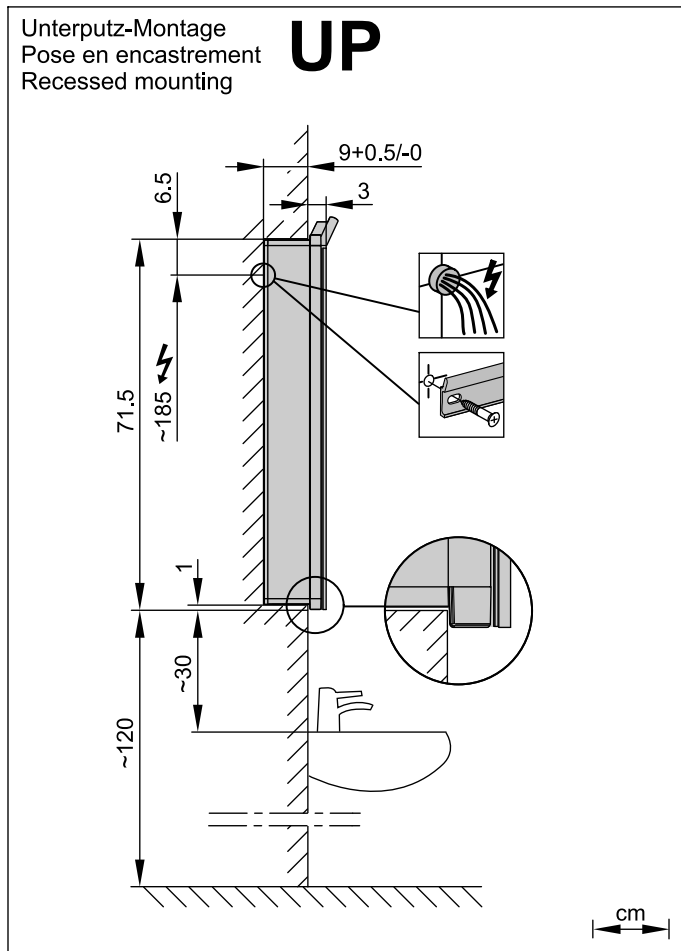


PAL/LED/AP	A	B	C
50..	5	5	30
60..	5	5	40
70..	5	5	50
80..	5	5	60
90..	5	5	70
100..	5	5	80
120..	5	5	100
130..	5	5	110
150..	5	5	130



PAL/LED/UP	D+/-0.3	E	F	G
50..	50	2.5	5	35
60..	60	2.5	5	45
70..	70	2.5	5	55
80..	80	2.5	5	65
90..	90	2.5	5	75
100..	100	2.5	5	85
120..	120	2.5	5	105
130..	130	2.5	5	115
150..	150	2.5	5	130

**Massblatt**  
**Fiche de mesure**  
**Dimensioned sketch**

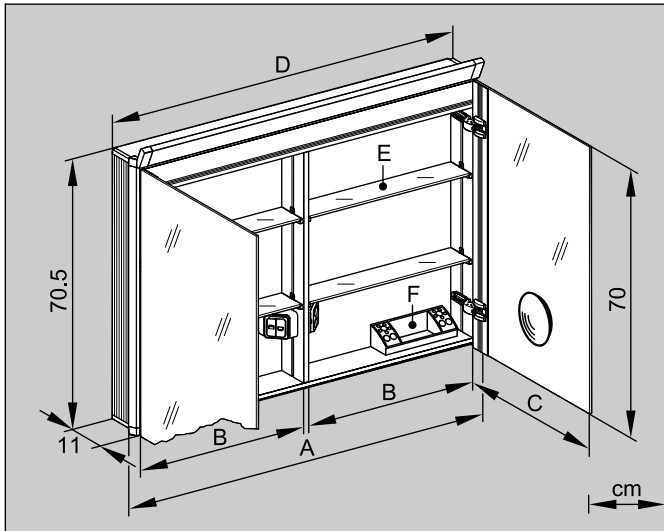


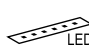
	159.050	159.060	
	PAL 50/1/LED	PAL 60/1/LED	
	1 x 10W/1200 lm + 1 x 9W/1100 lm	1 x 12W/1500 lm + 1 x 9W/1100 lm	
A	51.1	61.1	
B	47.1	57.1	
C	50 (1x)	60 (1x)	
D	49.5	59.5	
E	8.4 x 46.4 (2x)	8.4 x 56.4 (2x)	
F	27 x 8.2 x 7 (1x)		

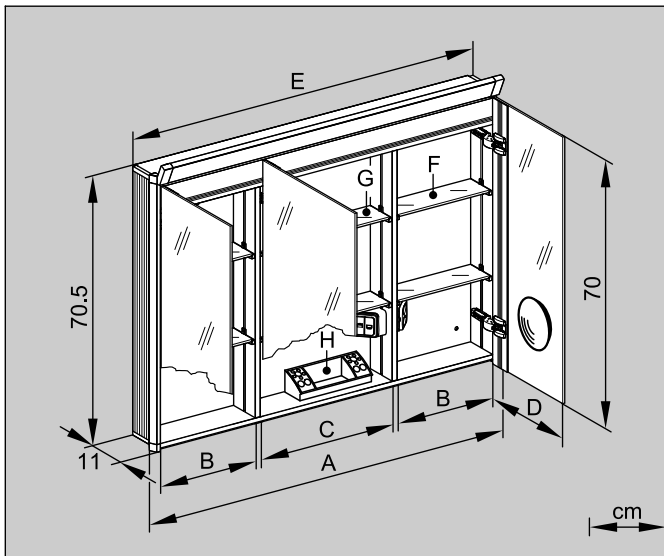
	159.061	159.070	
	PAL 60/2/LED	PAL 70/2/LED	
	1 x 12W/1500 lm + 1 x 9W/1100 lm	1 x 15W/1900 lm + 1 x 9W/1100 lm	
A	61.1	71.1	
B	57.1	67.1	
C	30 (2x)	35 (2x)	
D	59.5	69.5	
E	8.4 x 56.4 (2x)	8.4 x 66.4 (2x)	
F	27 x 8.2 x 7 (1x)		

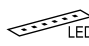
	159.080	159.090	
	PAL 80/2/LED	PAL 90/2/LED	
	1 x 17W/2200 lm + 1 x 12W/1500 lm	1 x 20W/2450 lm + 1 x 12W/1500 lm	
A	81.1	91.1	
B	37.8	42.8	
C	40 (2x)	45 (2x)	
D	79.5	89.5	
E	8.4 x 37.1 (2x)	8.4 x 42.1 (2x)	
F	27 x 8.2 x 7 (1x)		

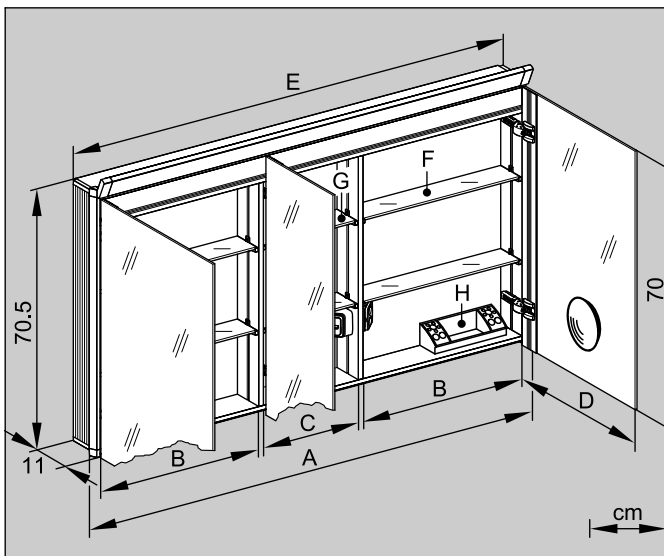
**Massblatt**  
**Fiche de mesure**  
**Dimensioned sketch**

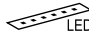


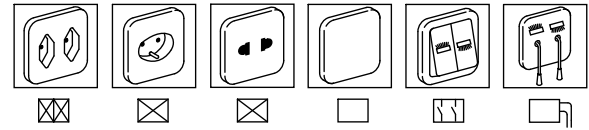
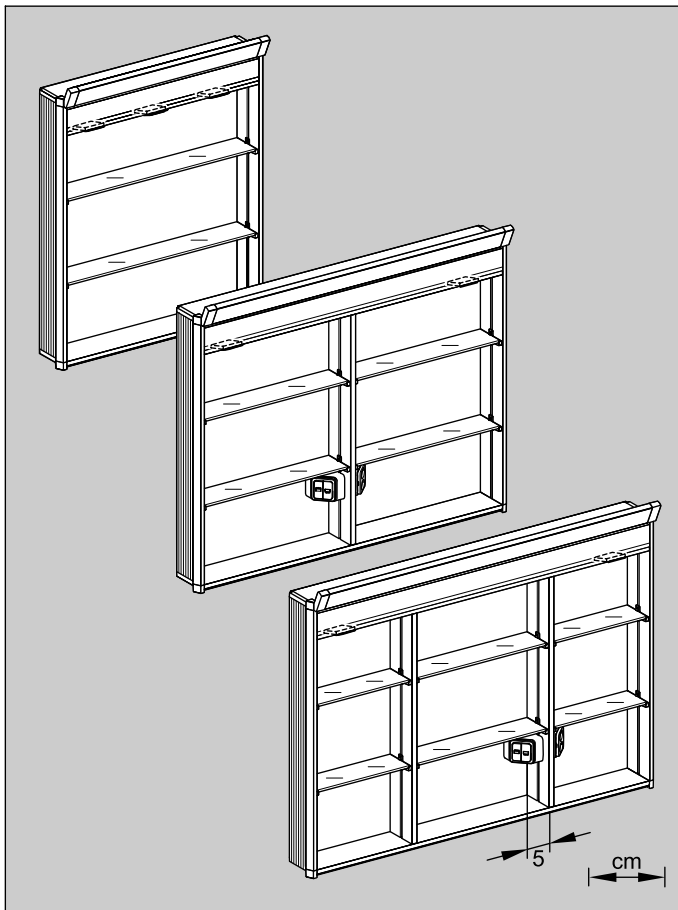
	159.100	159.120
	PAL 100/2/LED	PAL 120/2/LED
 LED	1 x 22W/2750 lm + 1 x 17W/2200 lm	1 x 27W/3400 lm + 1 x 26W/3300 lm
A	101.1	121.1
B	47.8	57.8
C	50 (2x)	60 (2x)
D	99.5	119.5
E	8.4 x 47.1 (2x)    8.4 x 57.1 (2x)	
F	27 x 8.2 x 7 (1x)	



	159.101
	PAL 100/3/LED
 LED	1 x 22W/2750 lm + 1 x 17W/2200 lm
A	101.1
B	27.8
C	38.5
D	30 (2x) / 40 (1x)
E	99.5
F	8.4 x 27.1 (4x)
G	8.4 x 37.8 (2x)
H	27 x 8.2 x 7 (1x)



	159.130	159.150
	PAL 130/3/LED	PAL 150/3/LED
 LED	1 x 29W/3700 lm + 1 x 26W/3300 lm	1 x 34W/4250 lm + 1 x 29W/3700 lm
A	131.1	151.1
B	47.8	57.8
C	28.5	28.5
D	50 (2x) / 30 (1x)	60 (2x) / 30 (1x)
E	129.5	149.5
F	8.4 x 47.1 (4x)	8.4 x 57.1 (4x)
G	8.4 x 27.8 (2x)	8.4 x 27.8 (2x)
H	27 x 8.2 x 7 (1x)	27 x 8.2 x 7 (1x)



	<b>CH</b>	<b>DE</b>	<b>GB</b>
→	<input checked="" type="checkbox"/>	<input checked="" type="checkbox"/>	<input checked="" type="checkbox"/>
→	<input type="checkbox"/>	<input checked="" type="checkbox"/>	<input type="checkbox"/>
→	<input checked="" type="checkbox"/>	<input checked="" type="checkbox"/>	<input checked="" type="checkbox"/>

	<b>CH</b>	<b>DE</b>	<b>GB</b>
→	<input checked="" type="checkbox"/>	<input checked="" type="checkbox"/>	<input type="checkbox"/>
→	<input type="checkbox"/>	<input type="checkbox"/>	<input type="checkbox"/>
→	<input checked="" type="checkbox"/>	<input checked="" type="checkbox"/>	<input checked="" type="checkbox"/>
→	<input checked="" type="checkbox"/>	<input checked="" type="checkbox"/>	<input checked="" type="checkbox"/>

	<b>CH</b>	<b>DE</b>	<b>GB</b>
→	<input checked="" type="checkbox"/>	<input checked="" type="checkbox"/>	<input type="checkbox"/>
→	<input type="checkbox"/>	<input type="checkbox"/>	<input type="checkbox"/>
→	<input checked="" type="checkbox"/>	<input checked="" type="checkbox"/>	<input checked="" type="checkbox"/>
→	<input checked="" type="checkbox"/>	<input checked="" type="checkbox"/>	<input checked="" type="checkbox"/>

Arbeiten an den elektrischen Anlagen dürfen nur von autorisierten Fachleuten nach den örtlichen Vorschriften ausgeführt werden.

Les travaux à l'installation électrique ne doivent être effectués que par des spécialistes autorisés selon les prescriptions locales.

Electric installation work may only be carried out by approved specialists according to the local regulations.



Genauere Angaben über Ausführung und Ausrüstung entnehmen Sie der entsprechenden Preis- und Typenliste. Änderungen vorbehalten.

Veuillez prendre de plus amples information en ce qui concerne l'équipement de notre liste des prix et des modèles correspondante. Sous réserve de modifications.

For further information as equipment details please refer to our corresponding price and model list. Alterations are reserved.