

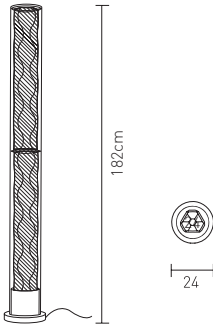


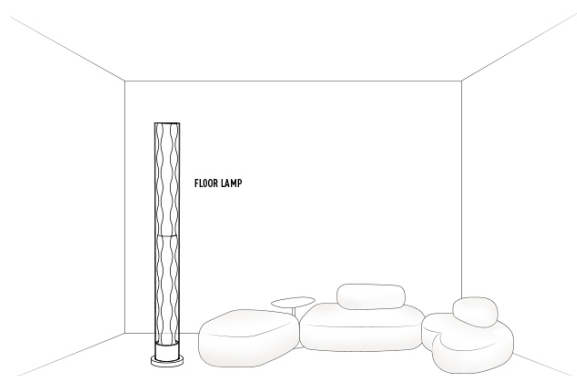
HELIOS

 design by Slamp Team


Compendium page 270

PRODUCT	SIZE	COLOUR	CODE
<p>FLOOR LAMP</p> <p>LED: 50W - 24V - 3800 Lumen 2700 Kelvin (warm white)</p> <p>Made of: Lentiflex®/Methacrylate</p> <p>With: Carrara Marble Base Dimmer</p> <p>Weight: net Kg 18,60 - gross Kg 24,50</p> <p>Package: A 12,50kg 32 x 31 x h190cm B 12,00kg 31,5 x 31,5 x h31,5cm</p> <p>CE IP 20  </p>		<p><input type="checkbox"/> PRISMA</p>	<p>HEL71PF00004LE</p>

HELIOS ENTIRE COLLECTION



ENERGY CLASS



This luminaire contains built-in LED lamps.

A++

A+

A


B

C

D

E

} LED



The lamp cannot be changed in the luminaire.

SLAMP:

HELIOS

874/2012