


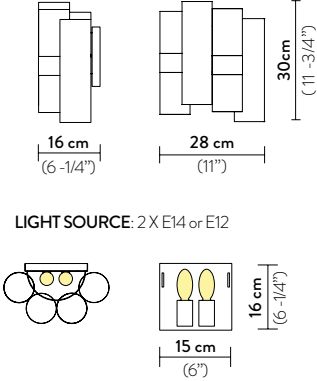







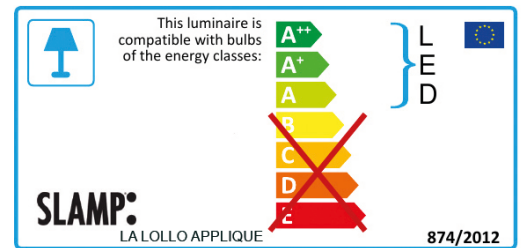
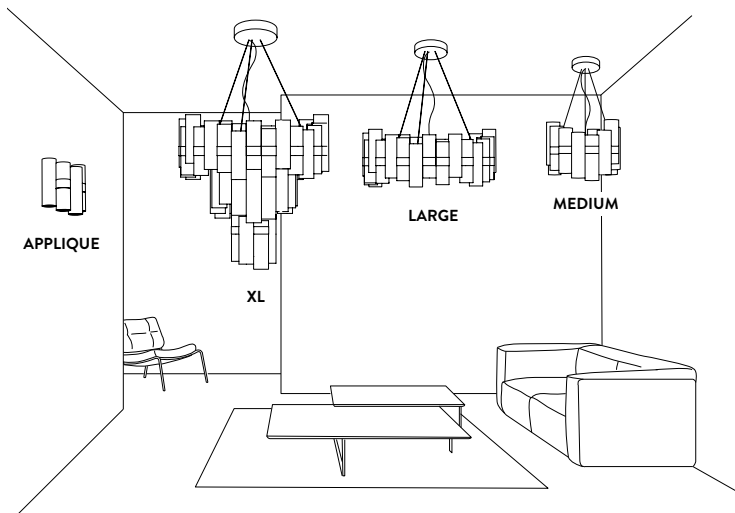
LA LOLLO APPLIQUE design by Lorenza Bozzoli

New Collections January 2019

| PRODUCT | SIZE | COLOUR | CODE |
|---|--|--|--|
| WALL LAMP Bulbs E14:  2 X 5W LED Filament Made of: Lentiflex® / Cristalflex® Opalflex® Brushed Goldflex® or Pewterflex® Whit: Stainless Steel Support Weight: net 0,7 kg - gross 1,4 kg Package: 31,5 x 32,5 x h.18,5 cm CE IP 20   |  <p>16 cm (6 -1/4") 28 cm (11") 30 cm (11 -3/4")</p> <p>15 cm (6") 16 cm (6 -1/4")</p> <p>LIGHT SOURCE: 2 X E14 or E12</p> |  LACE  GRADIENT  MACKINTOSH  GOLD  PEWTER WHITE | LAL87APP0000LA000 LAL87APP0000GR000 LAL87APP0000MC000 LAL87APP0000OF000 LAL87APP0000PE000 |

LA LOLLO ENTIRE COLLECTION

ENERGY CLASS



LACE



GRADIENT



MACKINTOSH



GOLD



PEWTER-WHITE