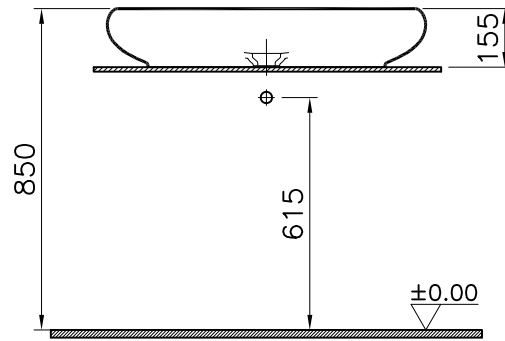
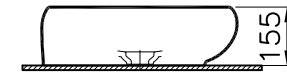
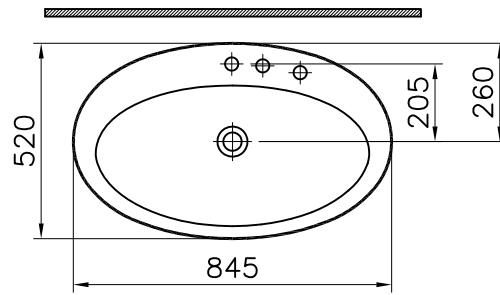


Theoretic Mass(kg)		Revision	
Surface Area(dm ²)		A4	

Thread	Hole	Shaft



±0.00

1	1	Washbasin,	4447-0871	Ceramic	
item	Quantity	Part Name	Drawing No	Material	Material Class
		Series	Ceramic	Material Class	
		Istanbul	Washbasin,		
		Drawn By	Controlled By	Approved By	Date
		G.GULTER	H.TURKOZ	S.VEDAT SARIGOL	16.12.2011
				Drawing No	Scale
				4447	1/20

01	Replaces Drawing dated 16.12.2011	08.11.2012	Gokhan
R.S	Description	Date	NAME

This drawing can only be used for the intended purposes. Unauthorized copying is strictly prohibited.

VitrA® ARTEMA®