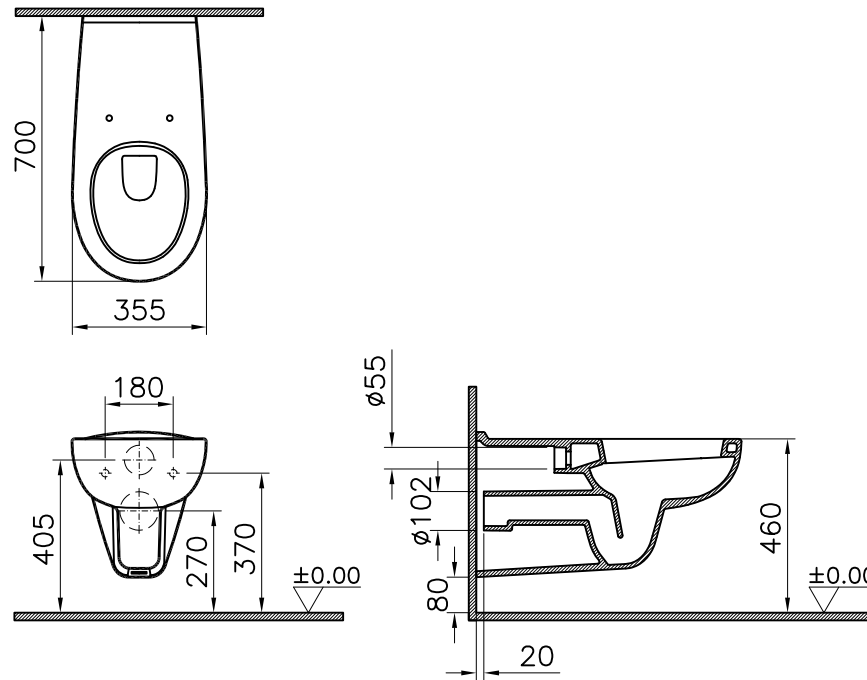


Theoretic Mass(kg)		Revision	
Surface Area(dm ²)		A4	

Thread	Hole	Shaft



1	1	WC pan	5813-0075	Ceramic			
item	Quantity	Part Name	Drawing No	Material	Material Class		
		Series	Ceramic	Material Class			
		CONFORMA	WC pan				
Drawn By		Controlled By	Approved By	Date	Drawing No	Scale	VitrA® ARTEMA®
G.GULTER		H.TURKOZ	S.VEDAT SARIGOL	20.10.2013	5813	1/20	

01	Replaces Drawing date 20.10.2013	24.06.2014	Gokhan
R.S	Description	Date	NAME

This drawing can only be used for the intended purposes. Unauthorized copying is strictly prohibited.

