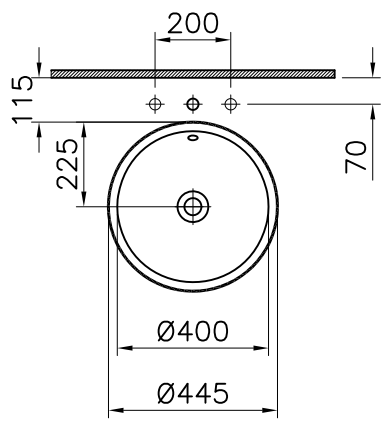
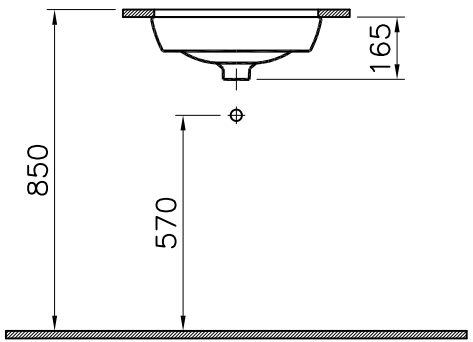


Theoretic Mass(kg)		Revision	
Surface Area(dm ²)		A4	

Thread	Hole	Shaft



1	1	bowl 45 cm	5940-1082	Ceramic	
item	Quantity	Part Name	Drawing No	Material	Material Class
		METROPOLE	Bowl 45 cm	Ceramic	Material Class
		<small>This drawing can only be used for the intended purposes. Unauthorized copying is strictly prohibited.</small>			
Drawn By	Controlled By	Approved By	Date	Drawing No	Scale
G.GULTER	H.TURKOZ	S.VEDAT SARIGOL	15.09.2014	5940	1/20

R.S	Description	Date	NAME

VitrA® ART^{EM}A