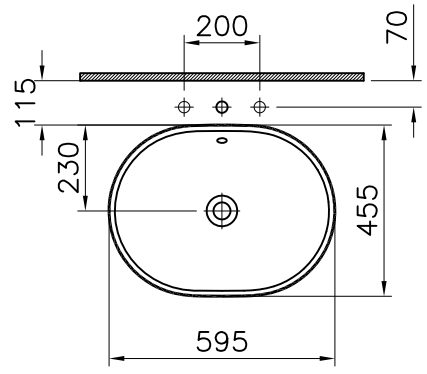
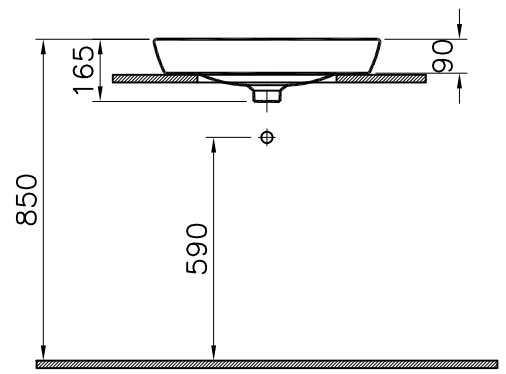
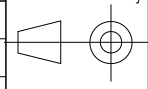


Theoretic Mass(kg)		Revision	
Surface Area(dm ²)		A4	

Thread	Hole	Shaft



1	1	Washbasin 60cm	5942-0012	Ceramic	
item	Quantity	Part Name	Drawing No	Material	Material Class
		Series	Material	Ceramic	Material Class
		METROPOLE	Washbasin 60cm		
Drawn By	Controlled By	Approved By	Date	Drawing No	Scale
G.GULTER	H.TURKOZ	S.VEDAT SARIGOL	15.09.2014	5942	1/20



This drawing can only be used for the intended purposes. Unauthorized copying is strictly prohibited.

R.S	Description	Date	NAME

VitrA® | **ARTEMA®**