



BESPOKE
GLASS
LIGHTING

COLLECTION

MERLINO

SUSPENSION

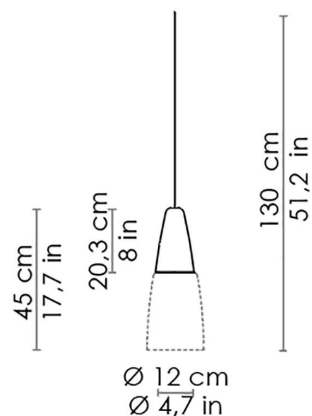
MERLINO

SUSPENSION

zafferano

BESPOKE
GLASS
LIGHTING

E27 IP20 CE



Mouth blown borosilicate glass. Matte white, dark grey or rust painted metal parts. Transparent cables. Customizable product.

CODE	COLOR
------	-------

DIMENSIONS AND HOLES

Dimensions	Ø 12 x 45 - h 130 cm / Ø 4,7 x 17,7 - h 51,2 in
------------	---

ILLUMINOTECHNICAL SPECIFICATIONS

Source	E27
Type	E27
ip	IP20
total Watt	70W HS
Lamp life	minimum 3 years guaranteed

ELECTRICAL SPECIFICATIONS

Voltage	220-240V
Frequency	50-60 Hz

PHYSICAL SPECIFICATIONS

Thermal dissipation	passive
---------------------	---------

We reserve the right to change the specifications of our product. For the latest information on the product visit www.zafferanoitalia.com