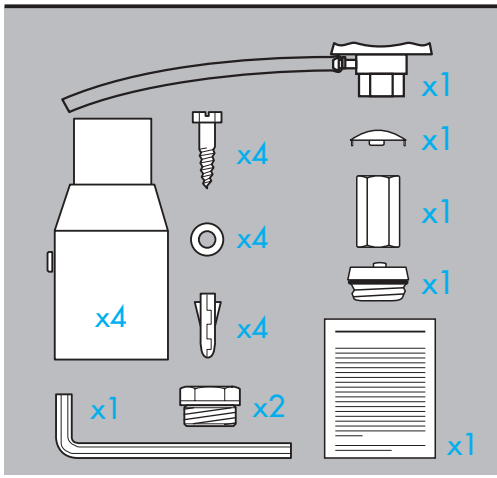
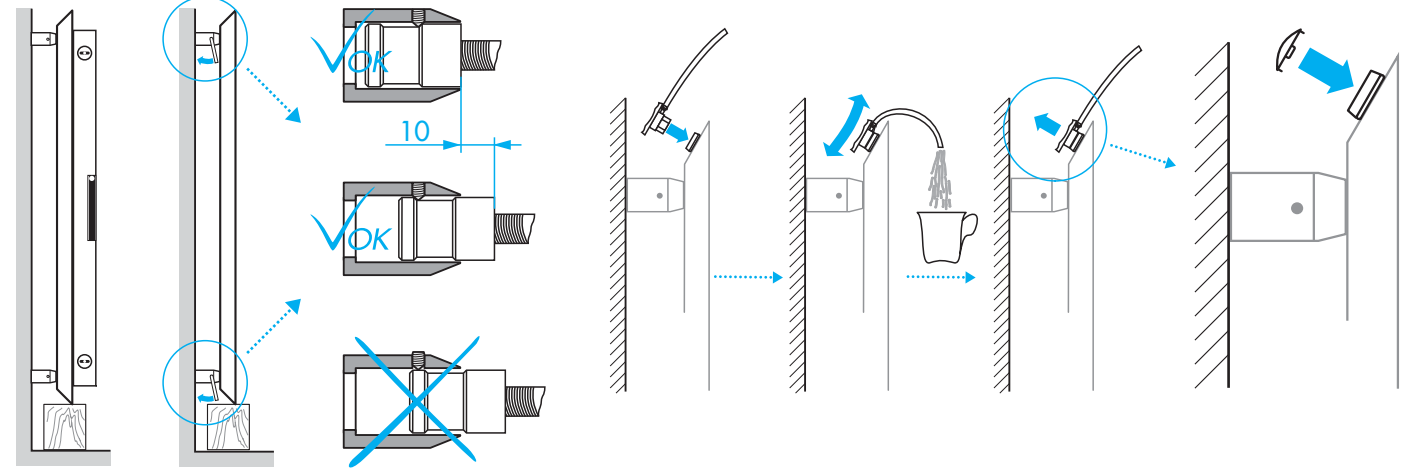
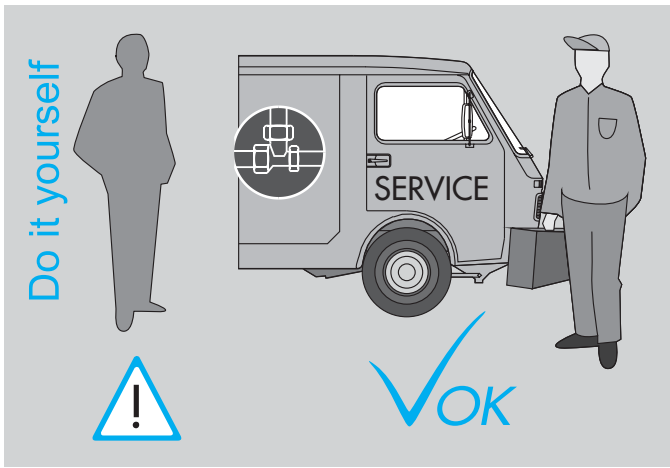
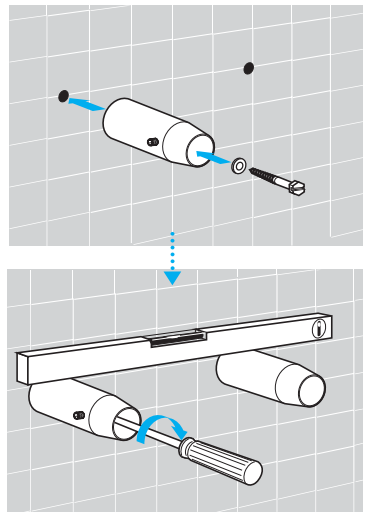
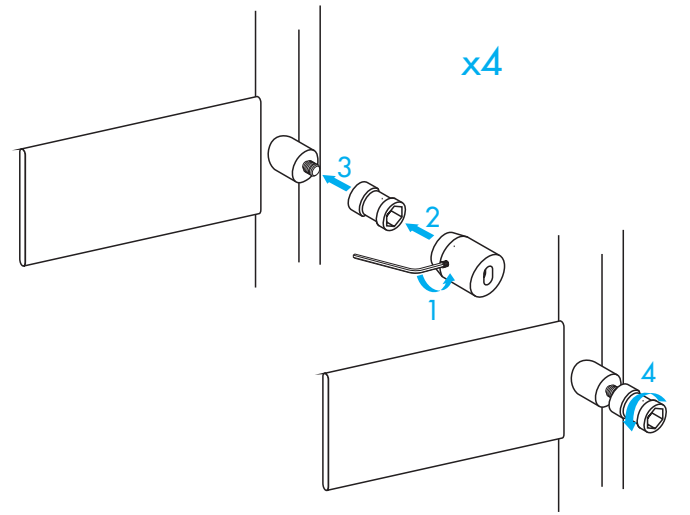
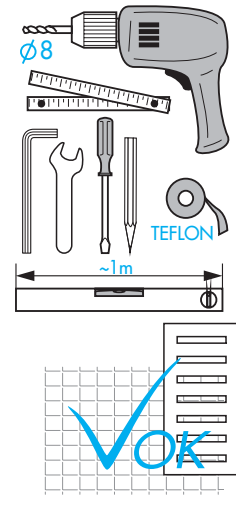
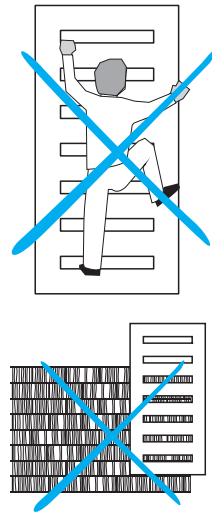


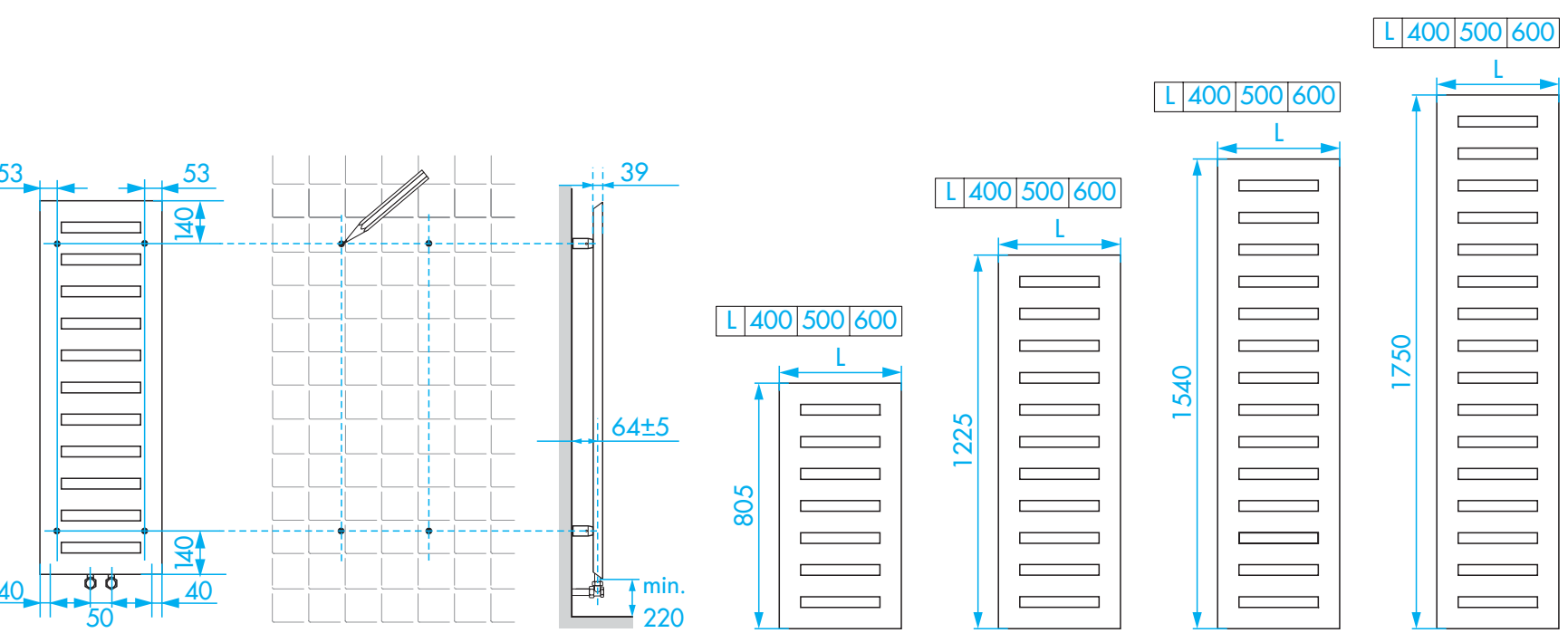
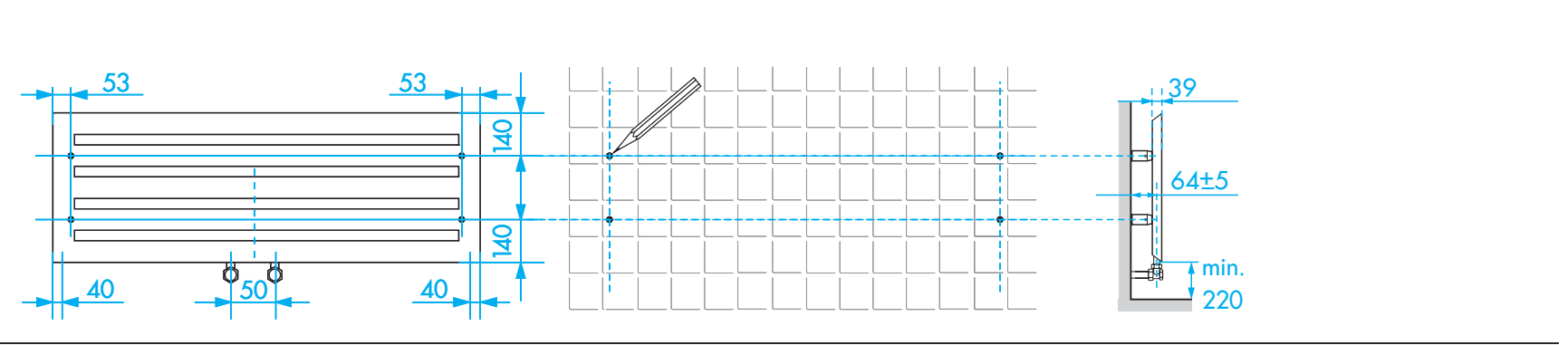
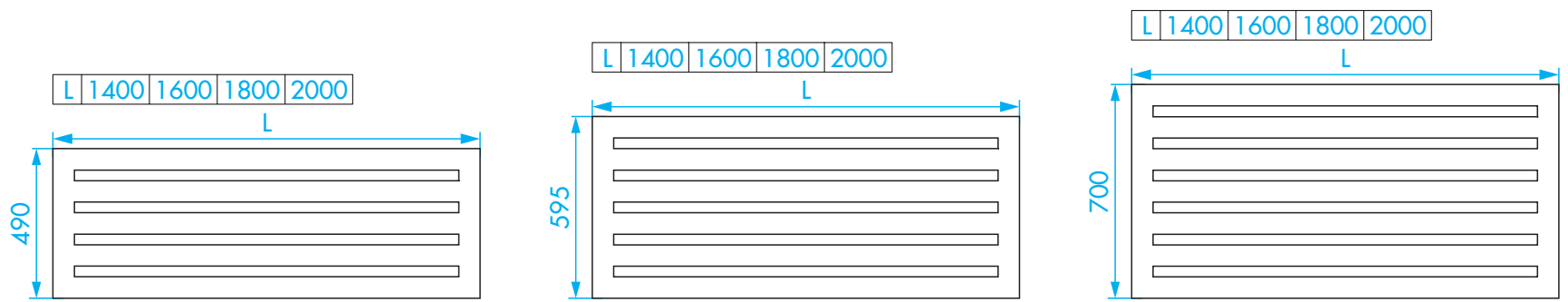
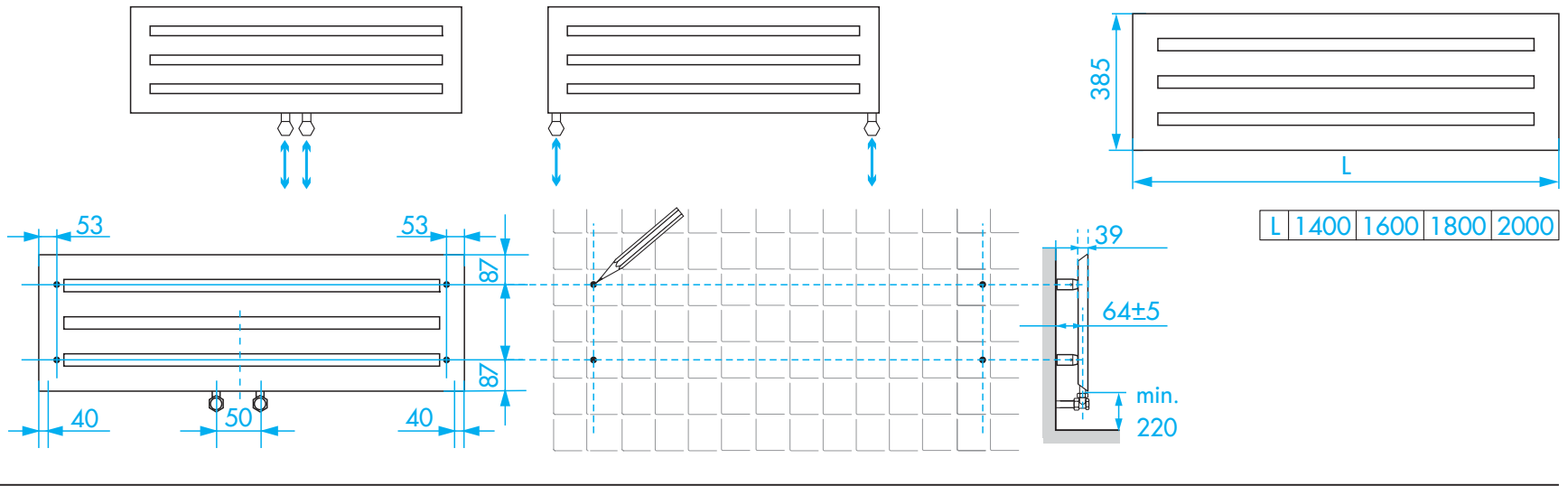
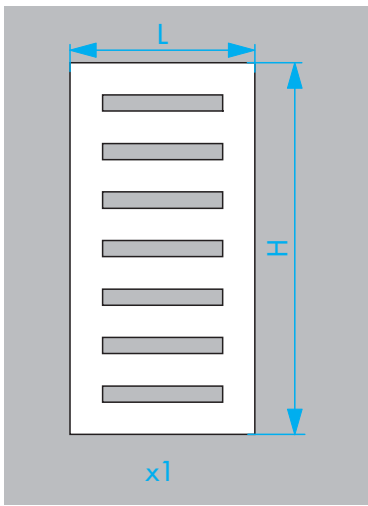
221109



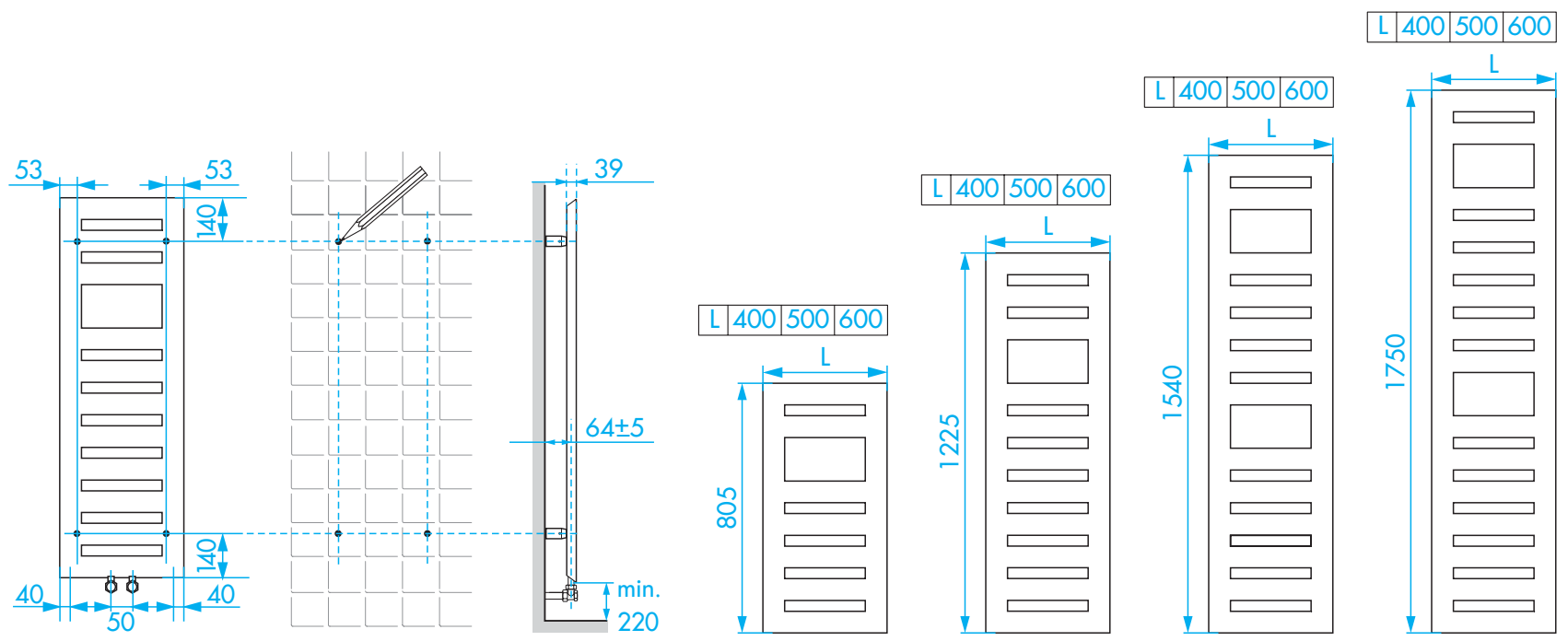
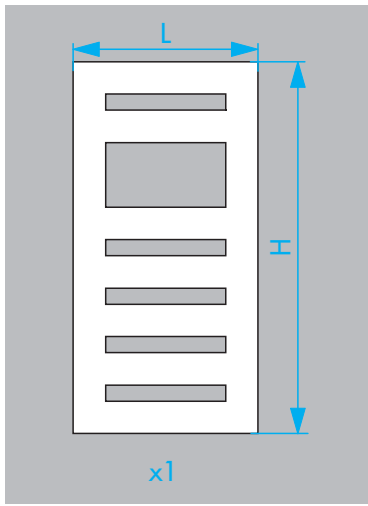
© Copyright by PBO 11/09



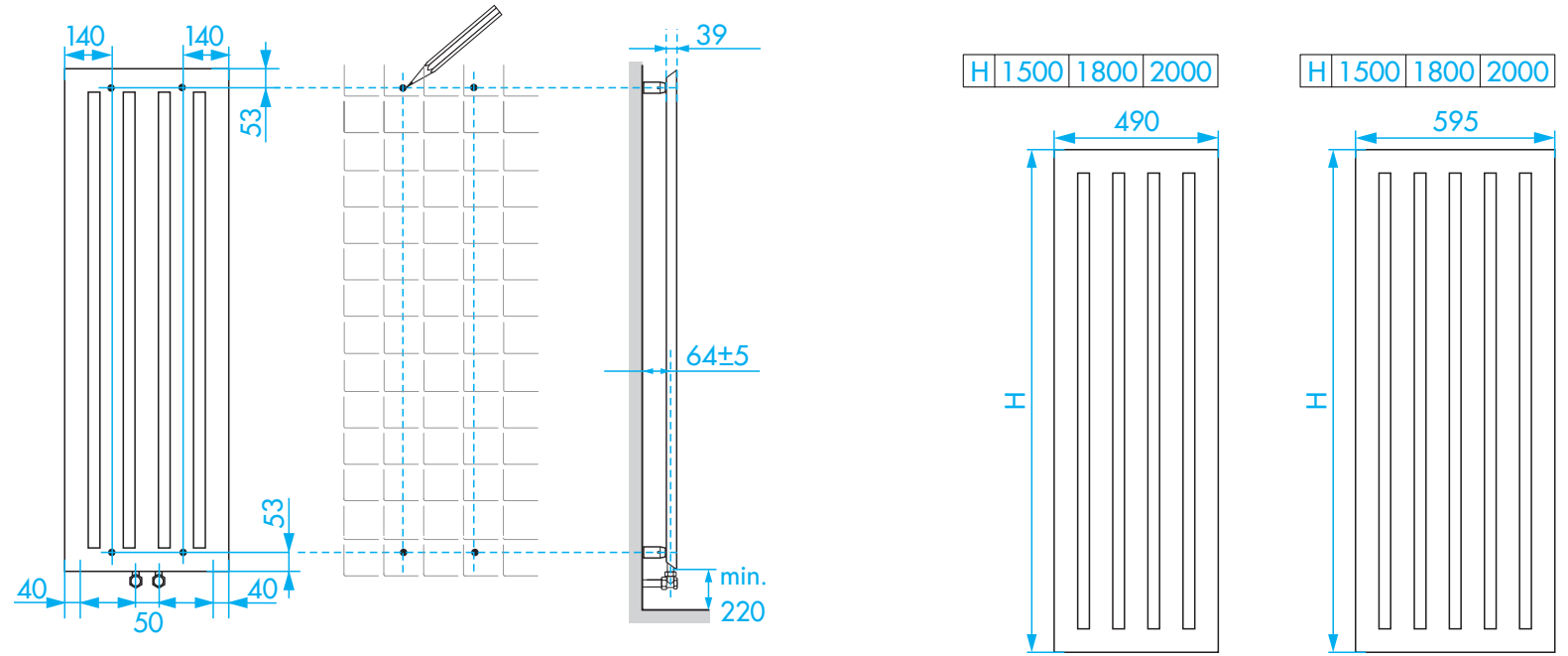
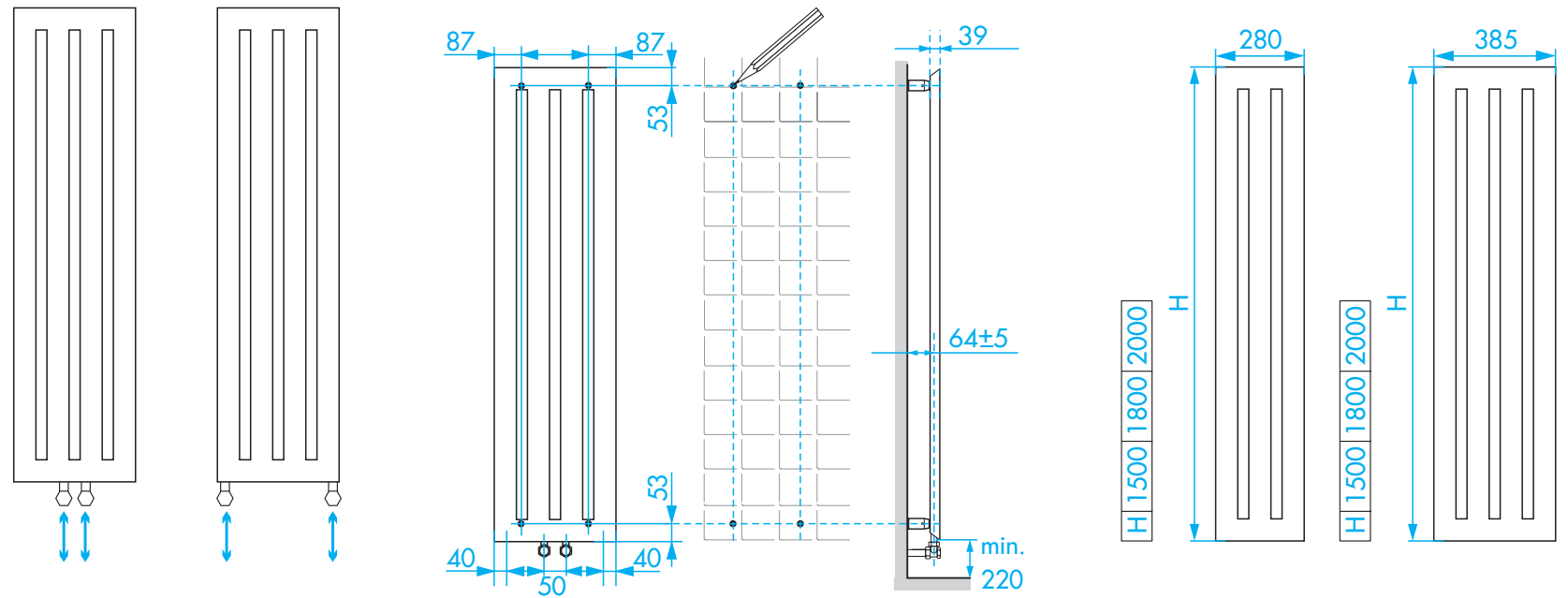
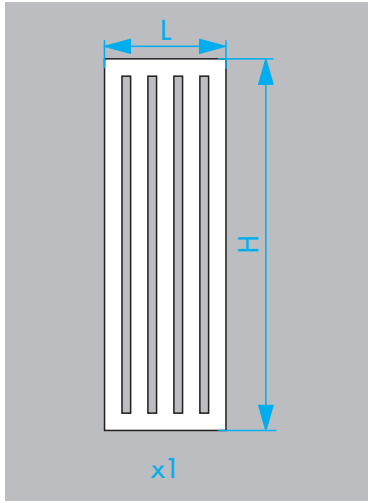
TYPE T080-H



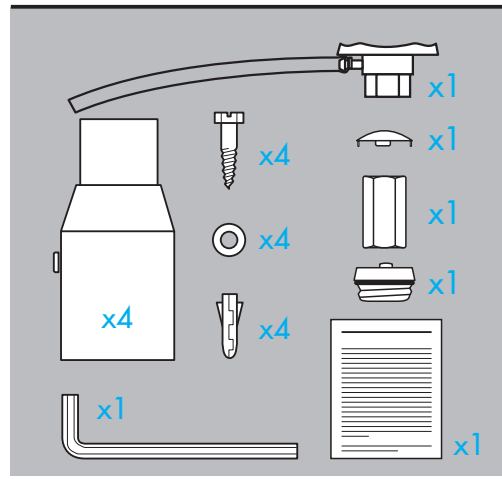
TYPE T081-H



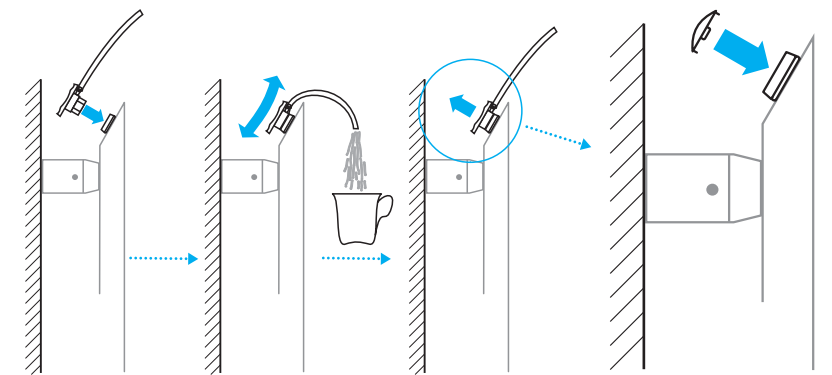
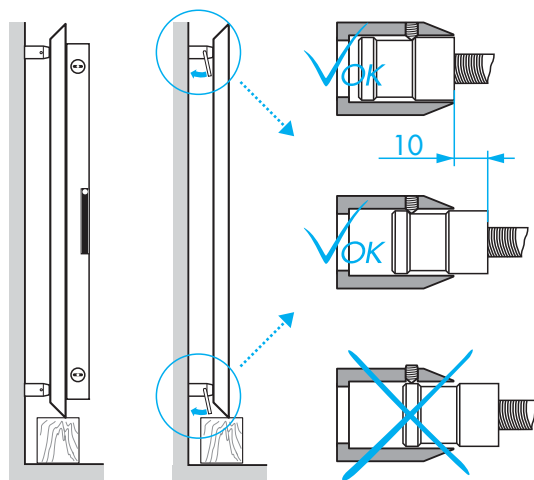
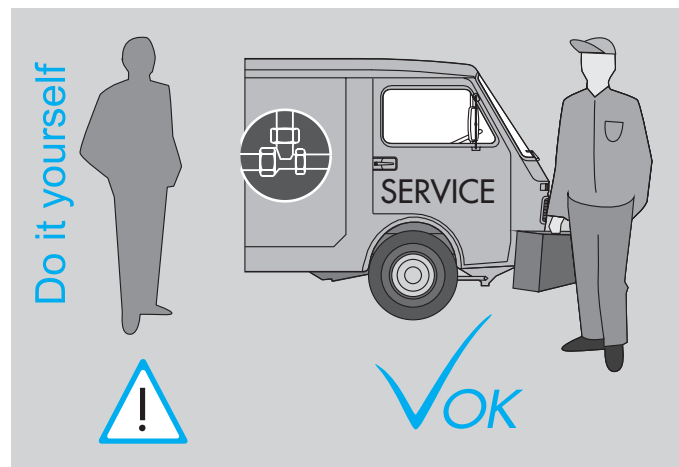
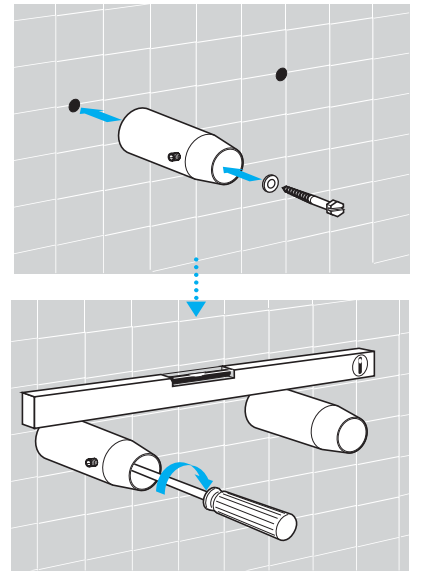
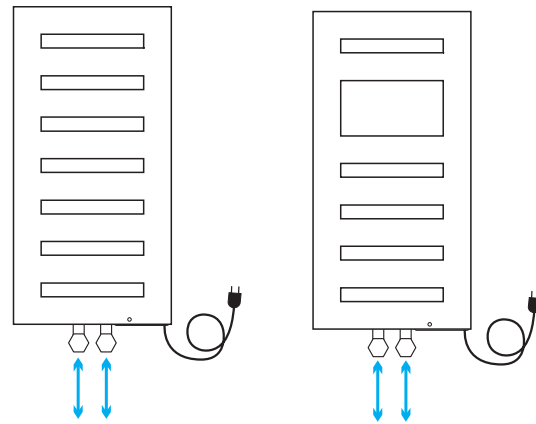
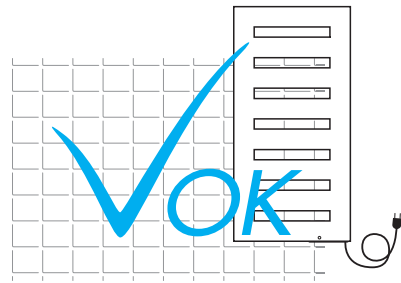
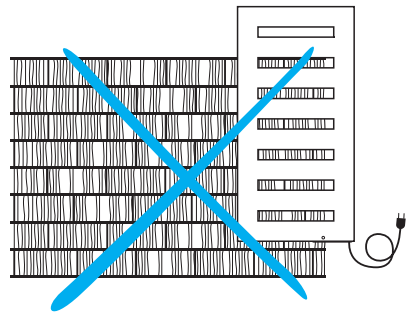
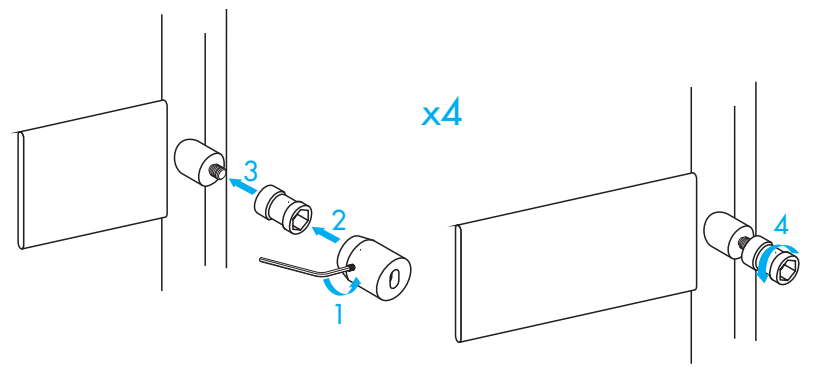
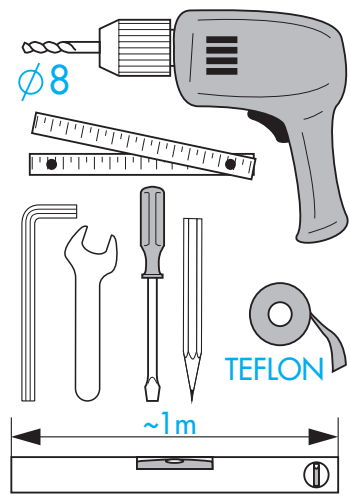
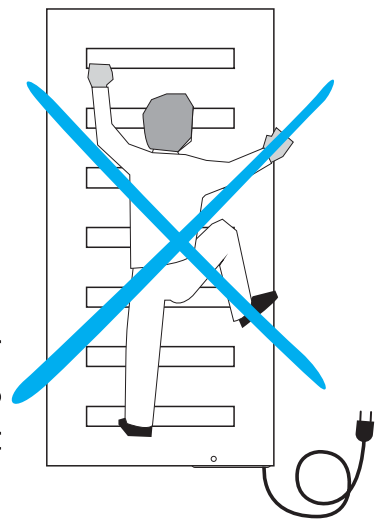
TYPE T080-V



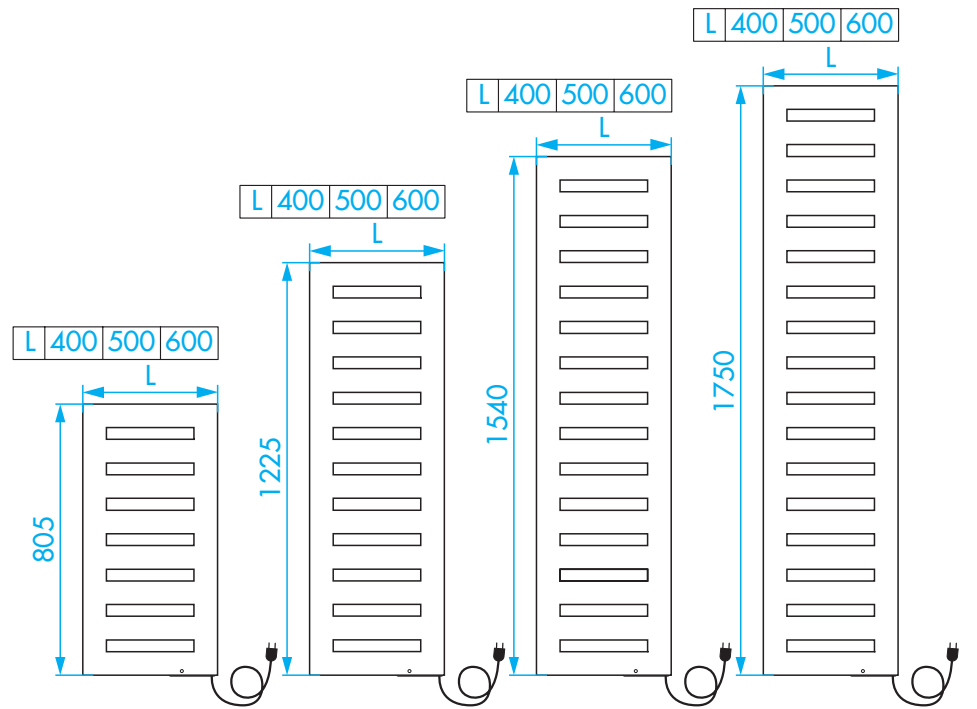
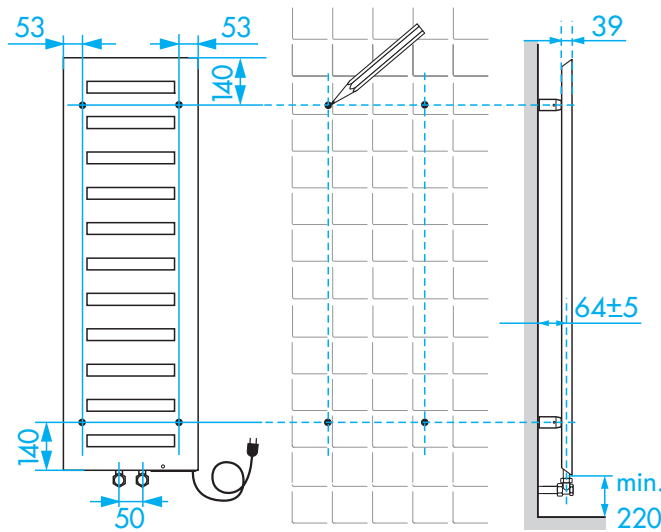
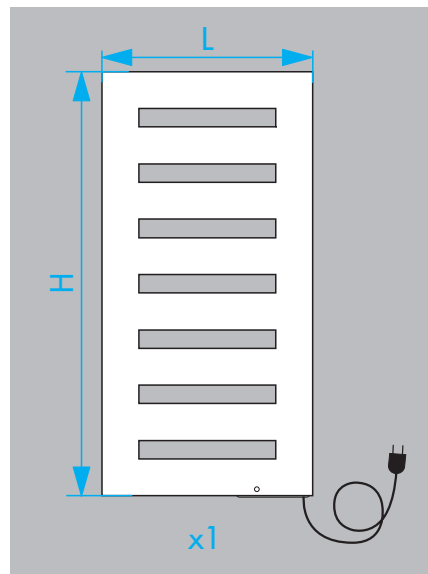
231109



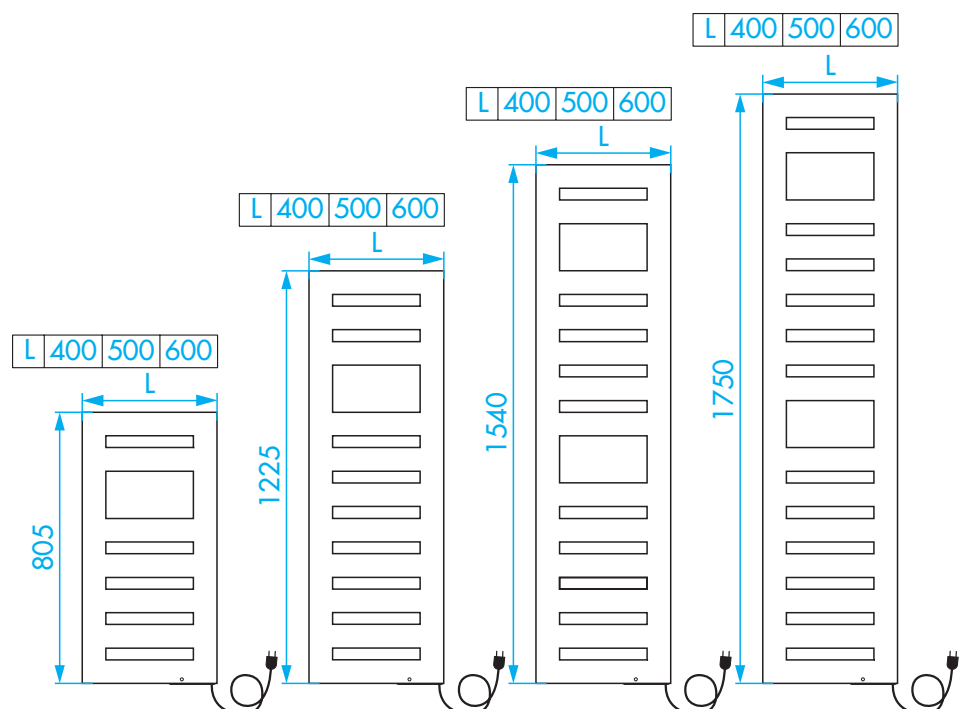
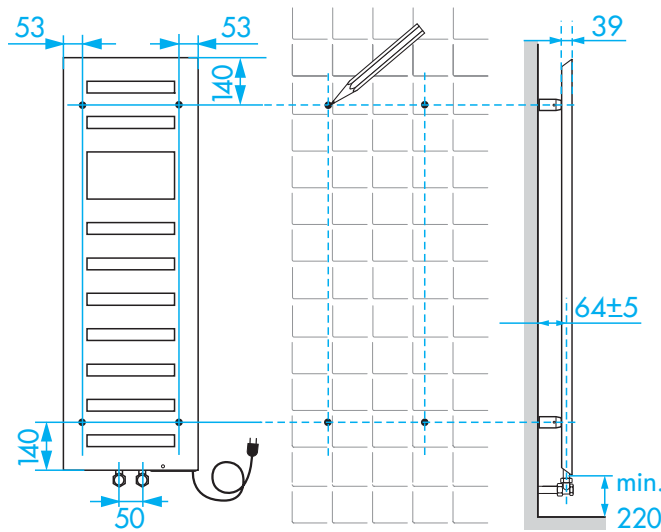
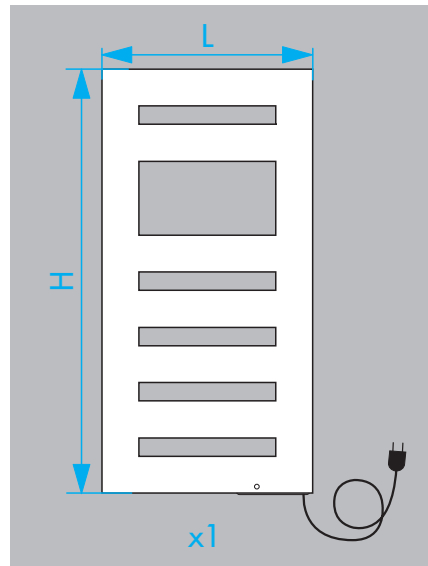
© Copyright by PBO 11/09



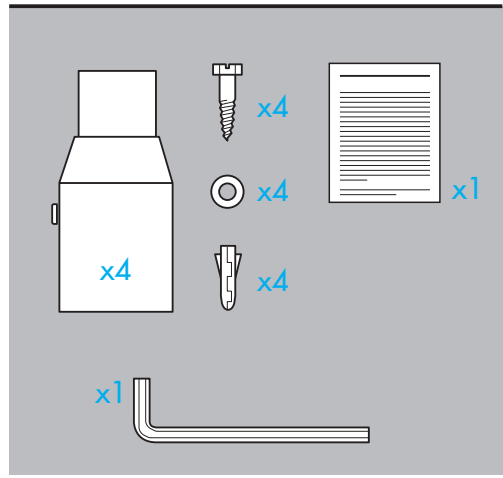
TYPE T080-HM



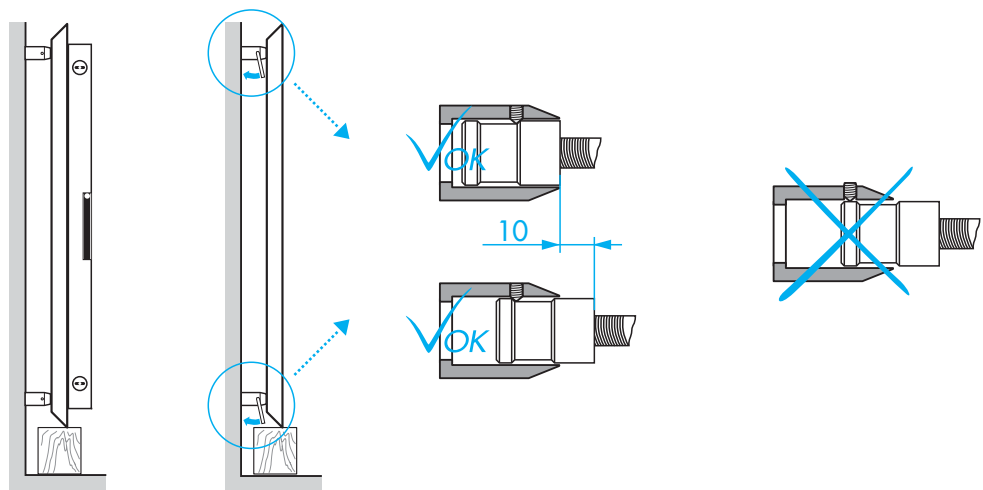
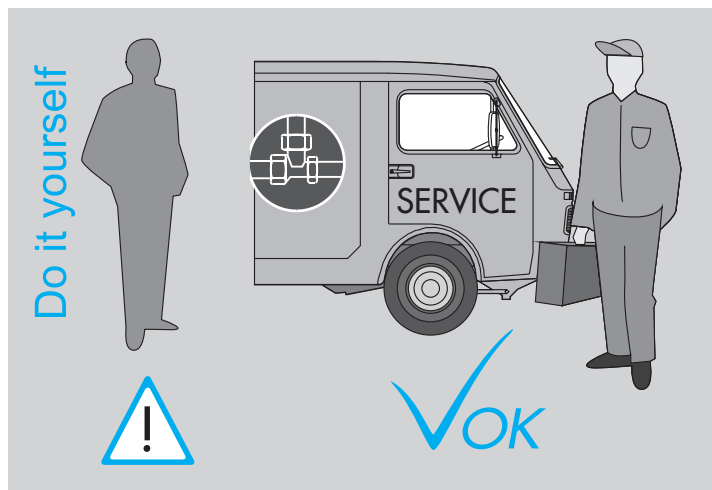
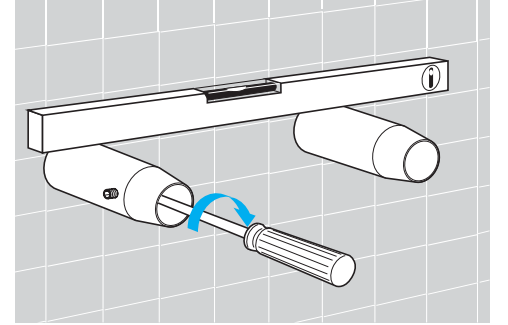
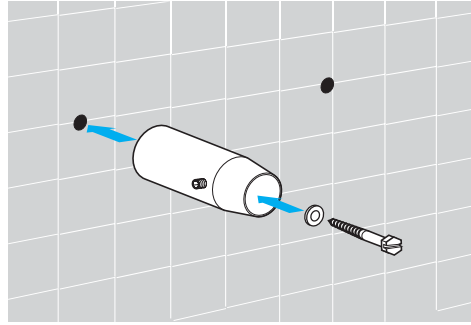
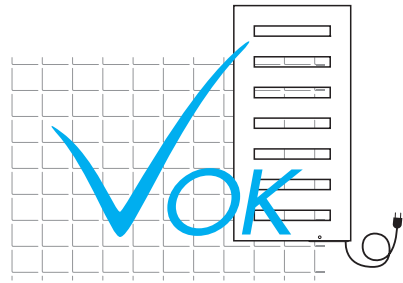
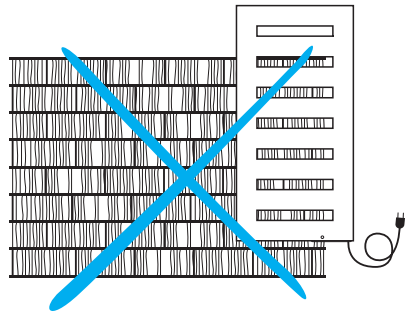
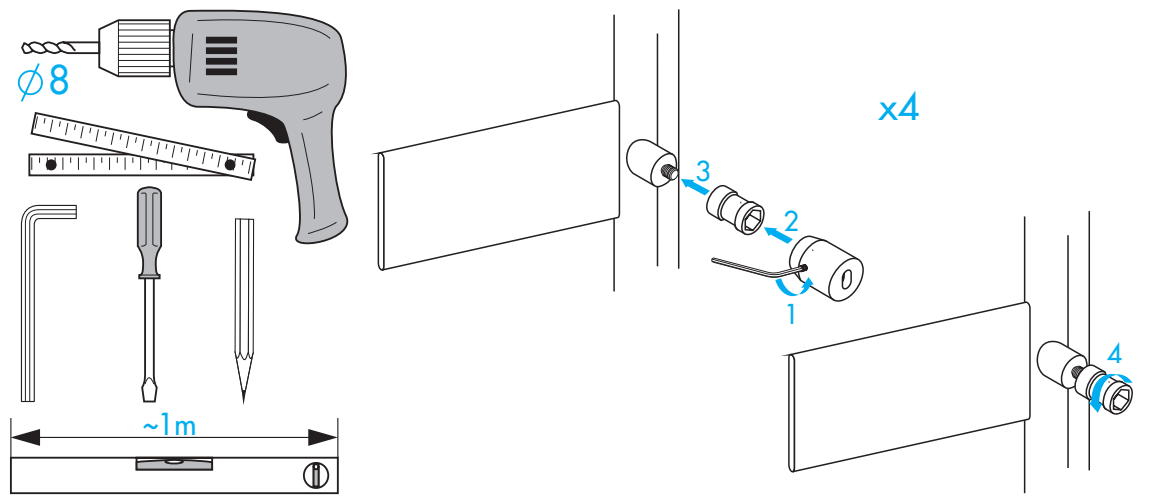
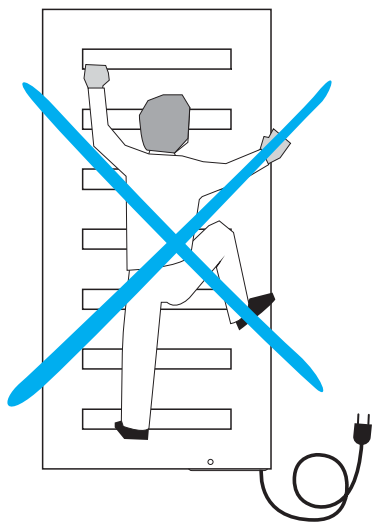
TYPE T081-HM



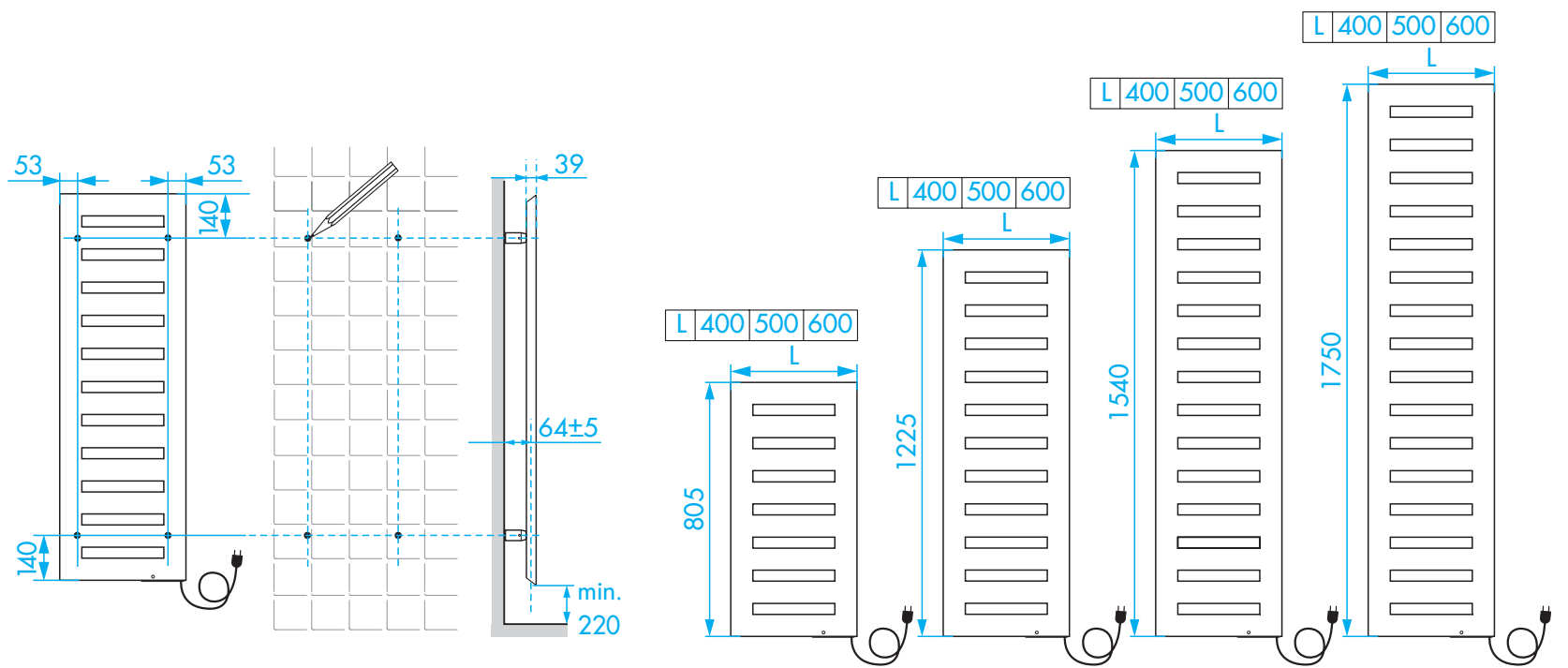
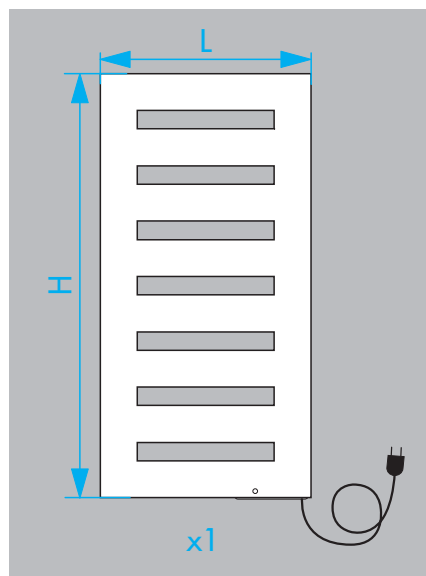
101209



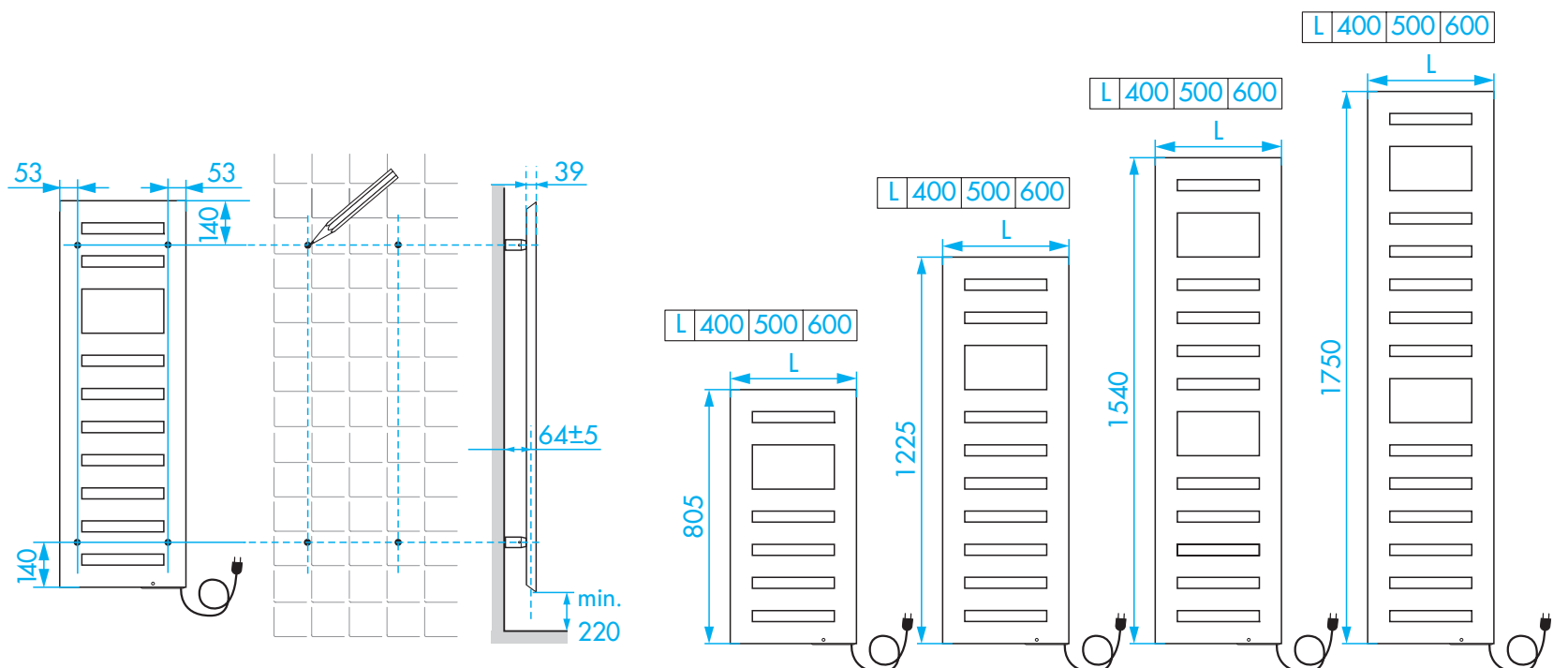
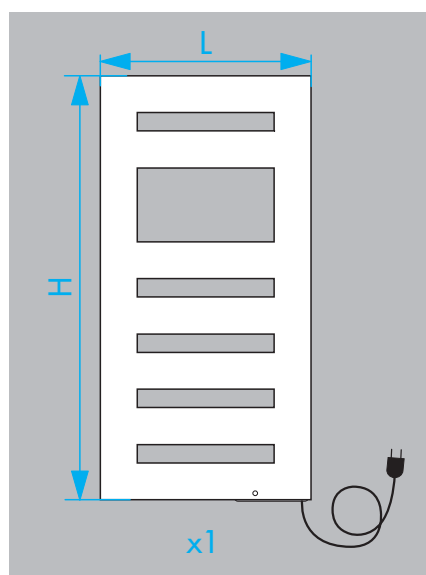
© Copyright by PBO 12/09



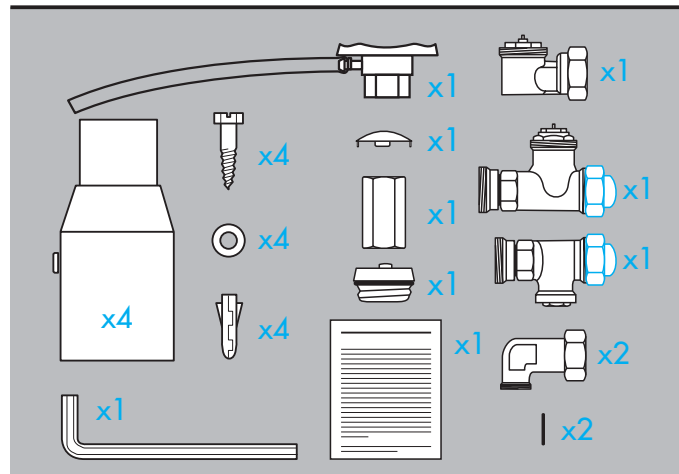
TYPE T080-HE



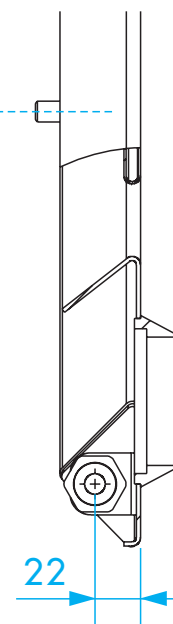
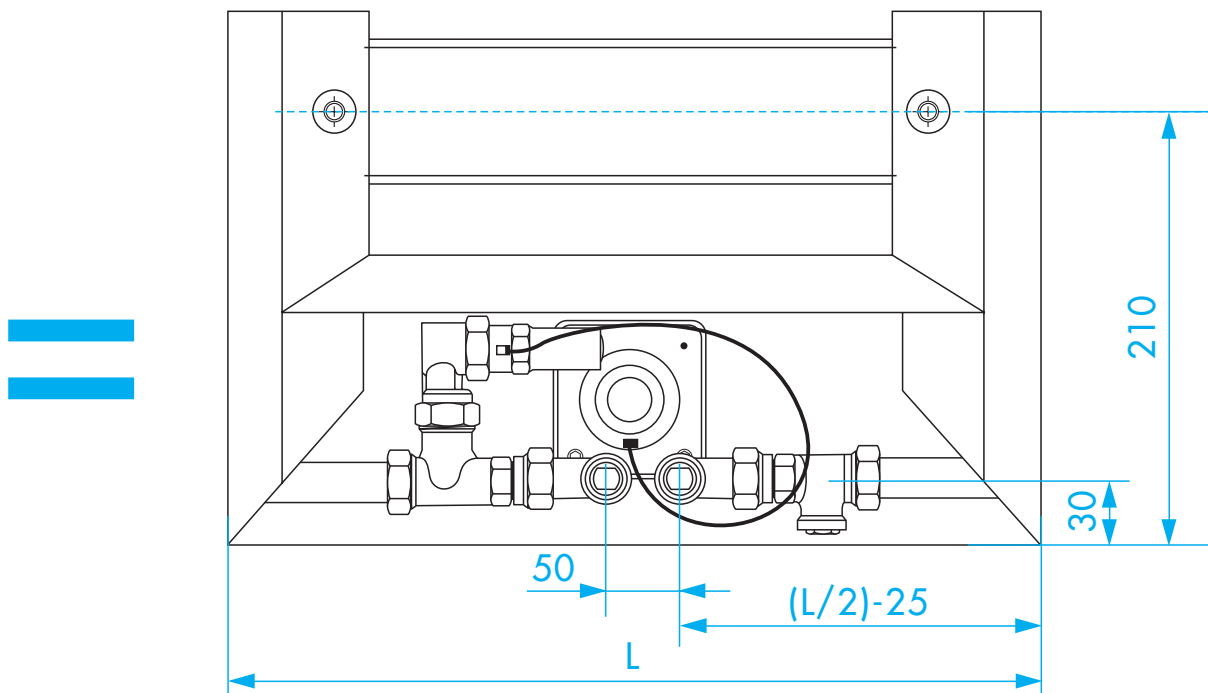
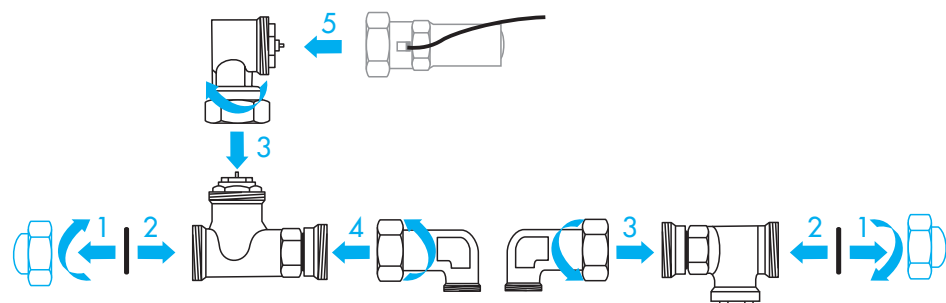
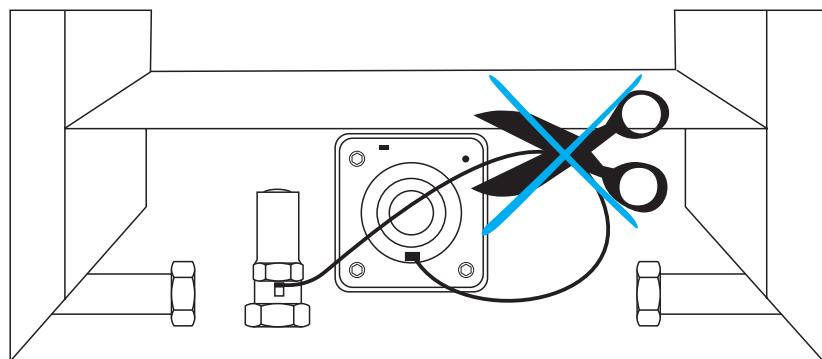
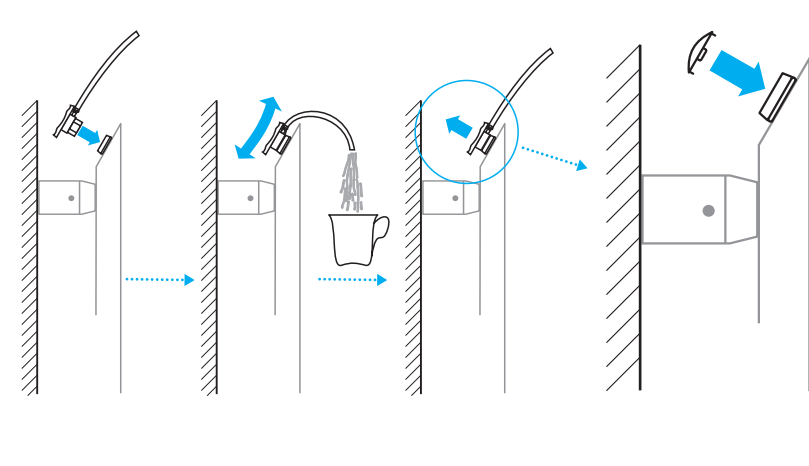
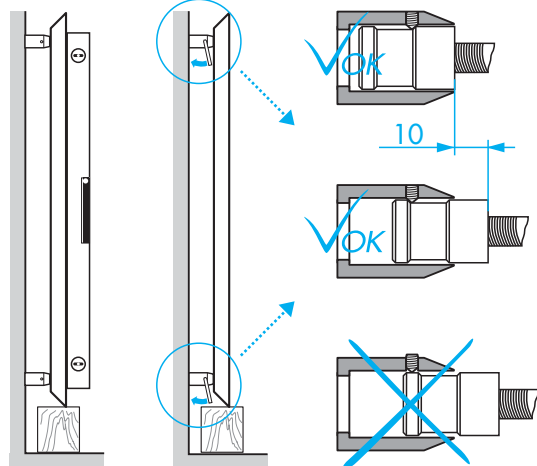
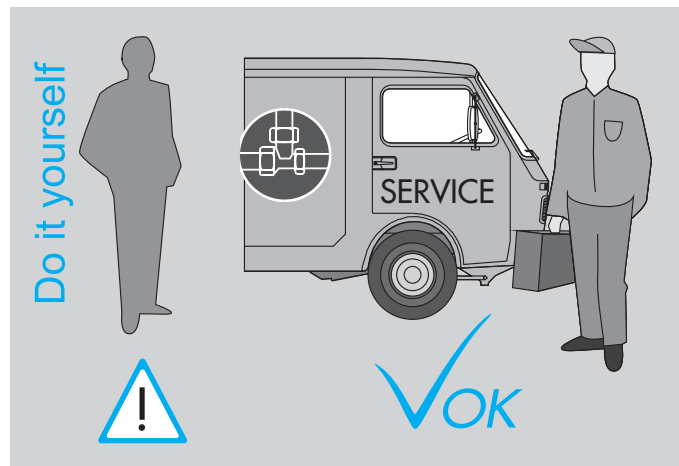
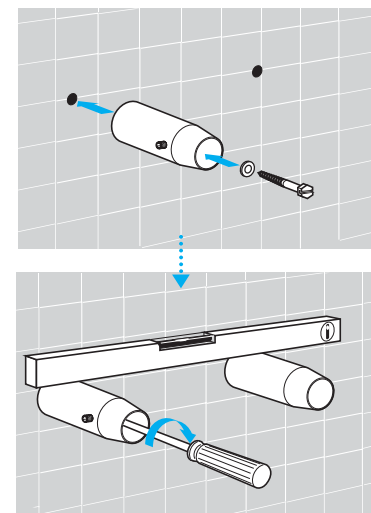
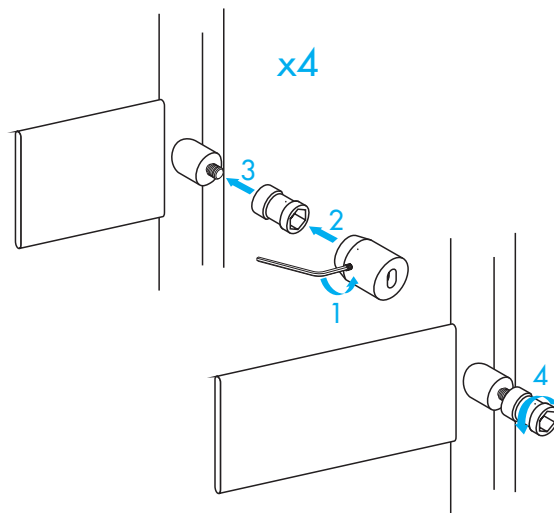
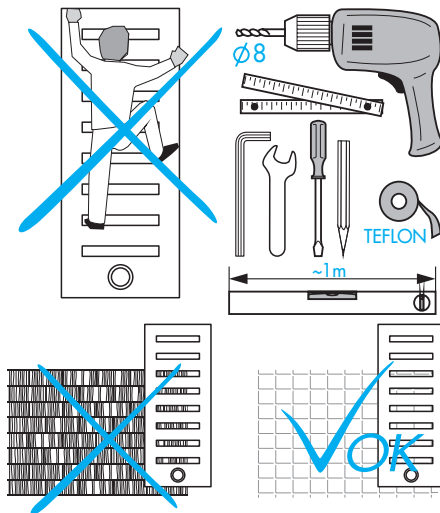
TYPE T081-HE



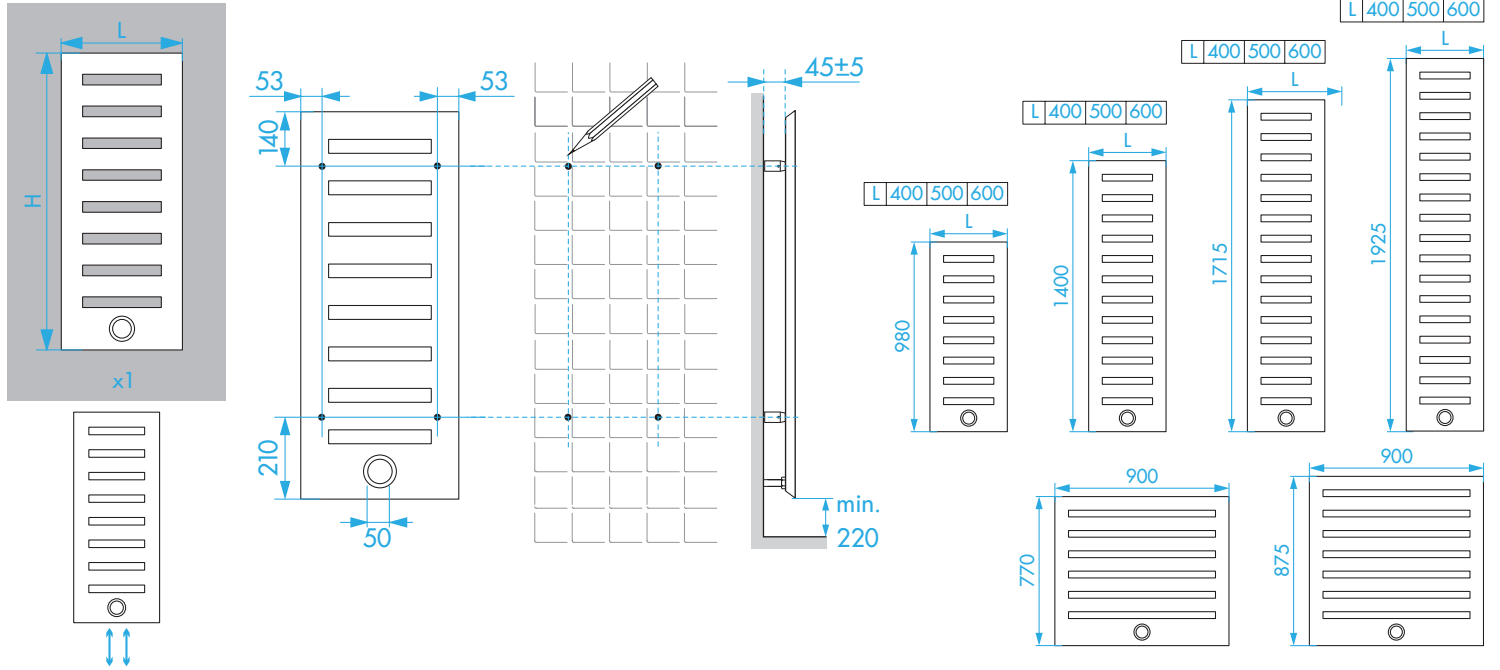
COMPLETTO



© Copyright by PBO 01/11 061209



TYPE T080



TYPE T081

