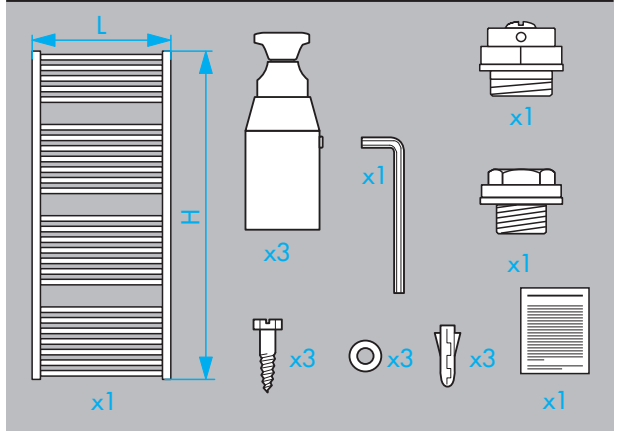
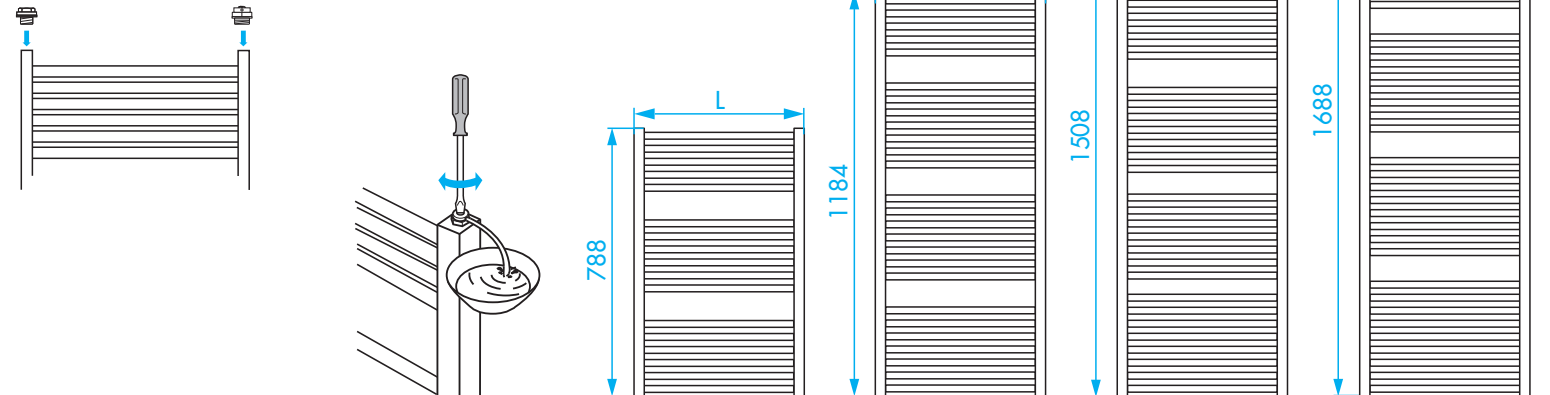
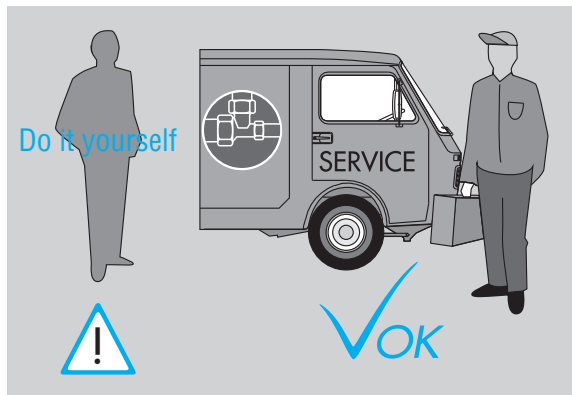
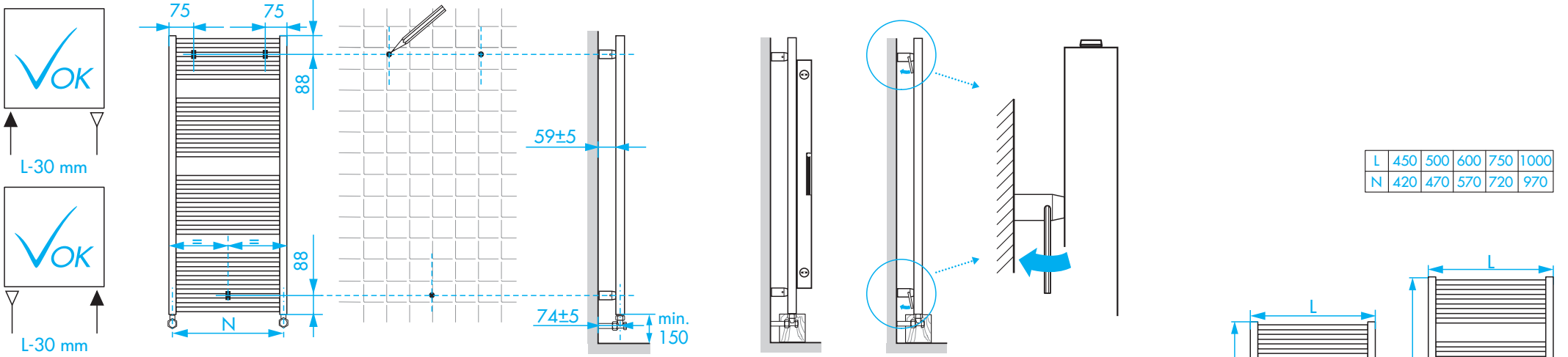
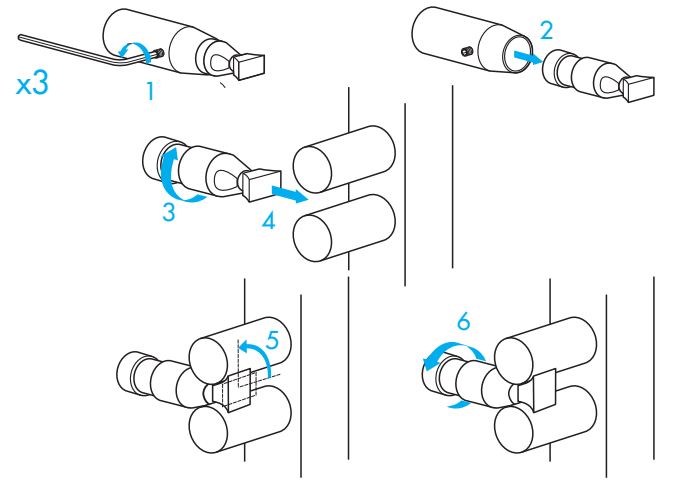
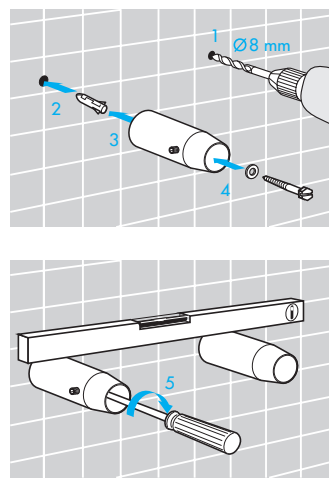
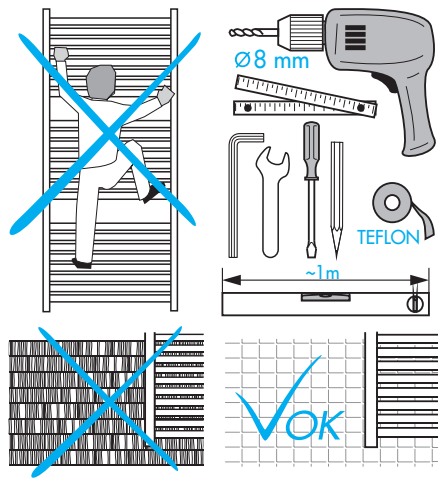


TYPE PY

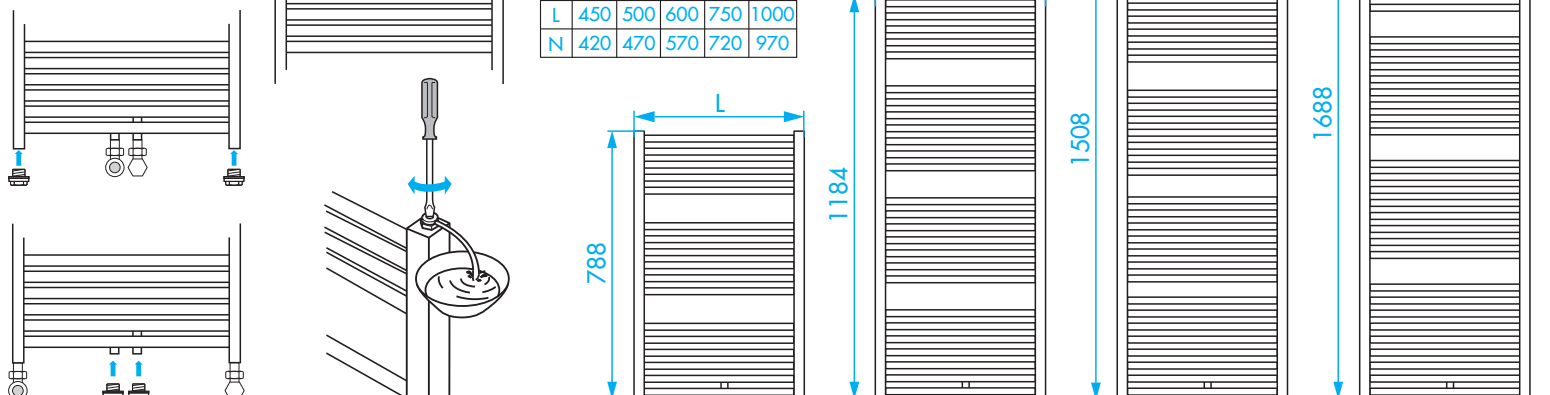
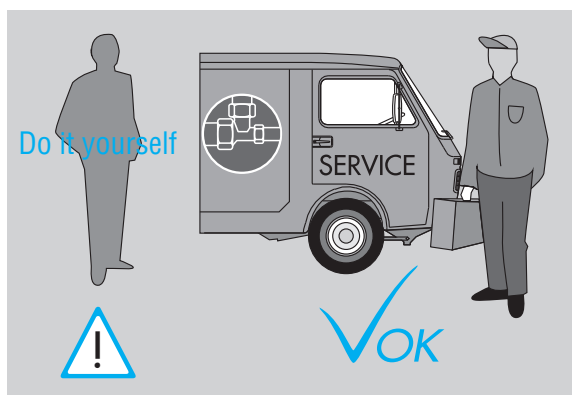
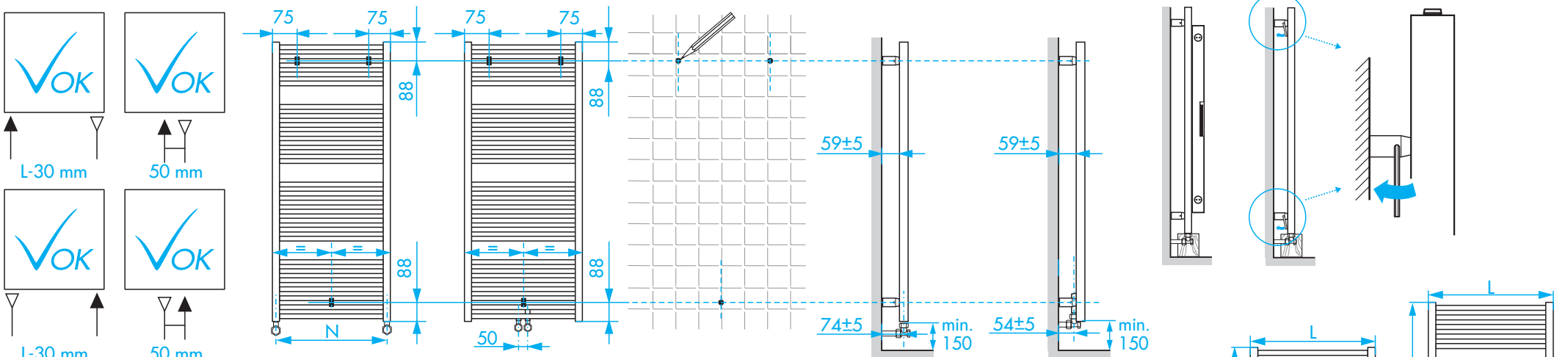
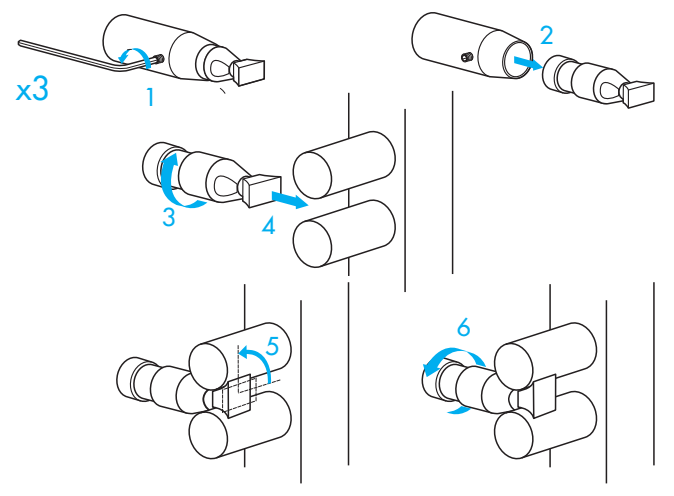
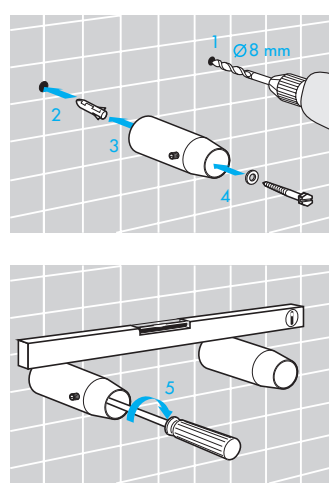
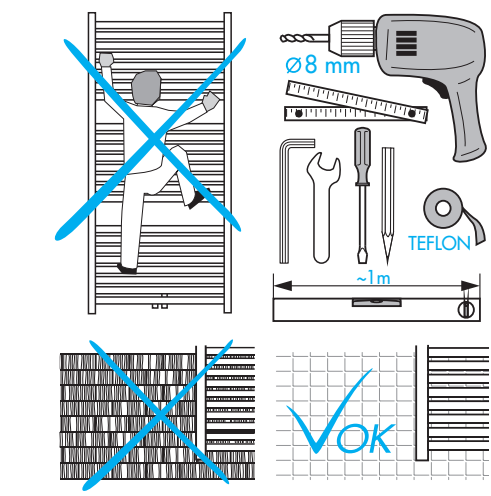
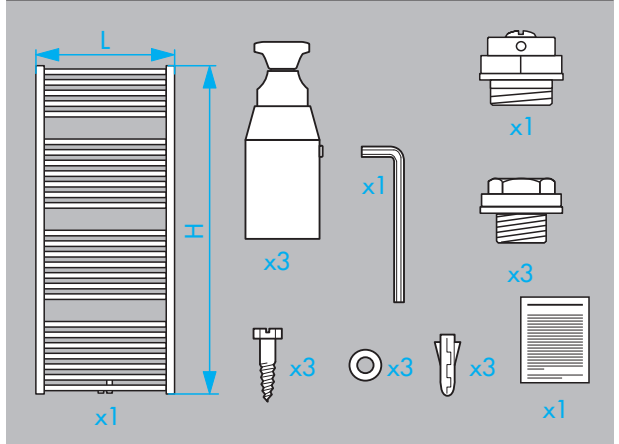
852 080



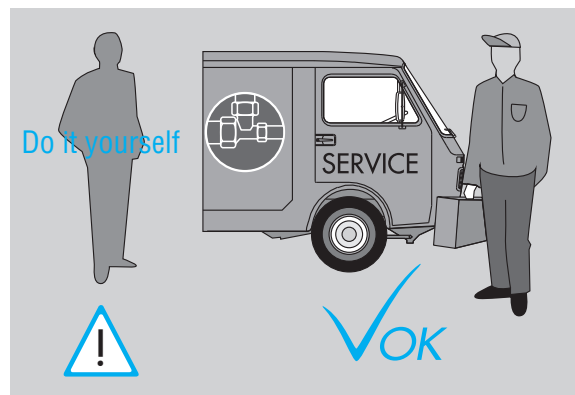
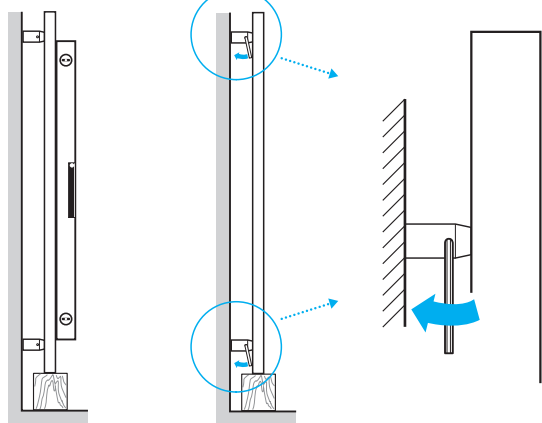
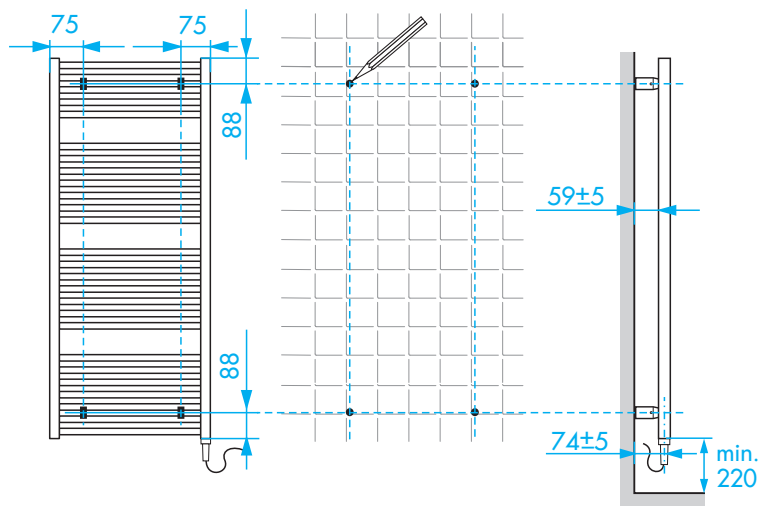
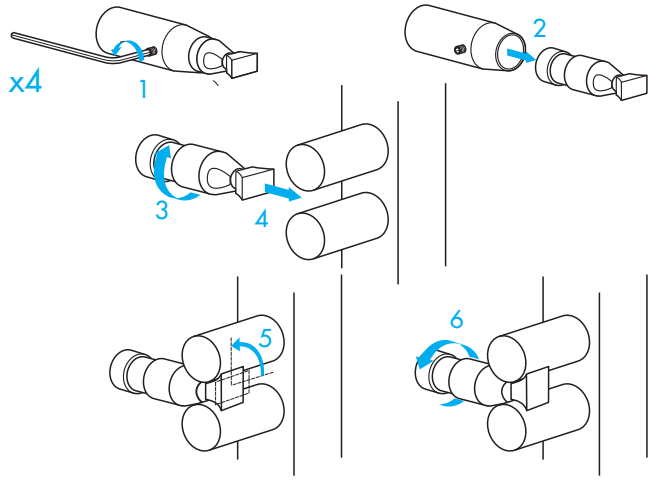
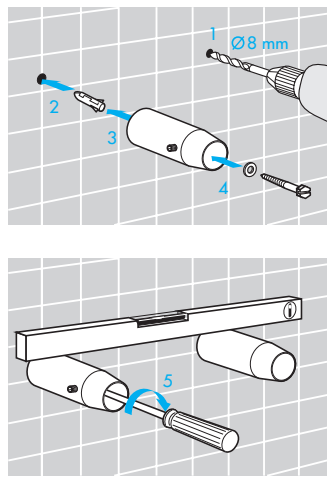
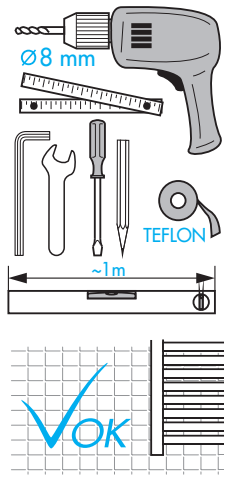
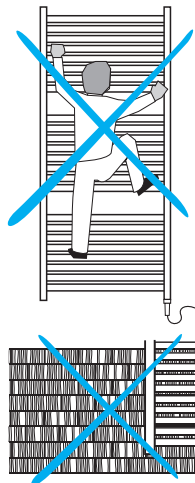
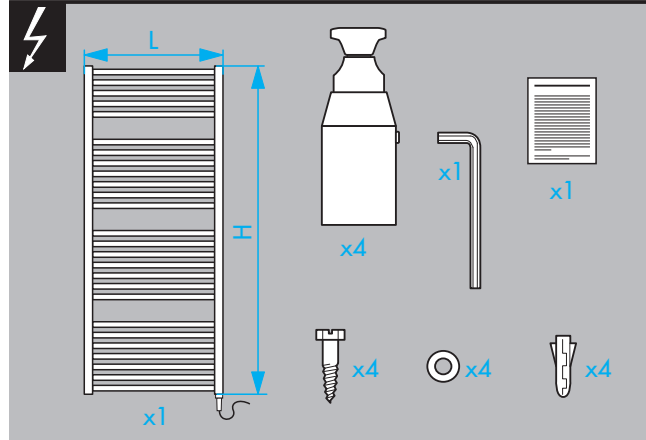
© Copyright by PBO 10/12



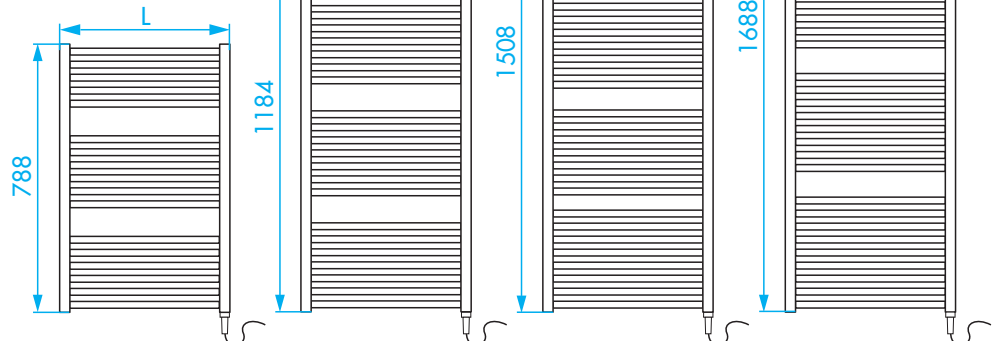
TYPE PY-05



TYPE PYE

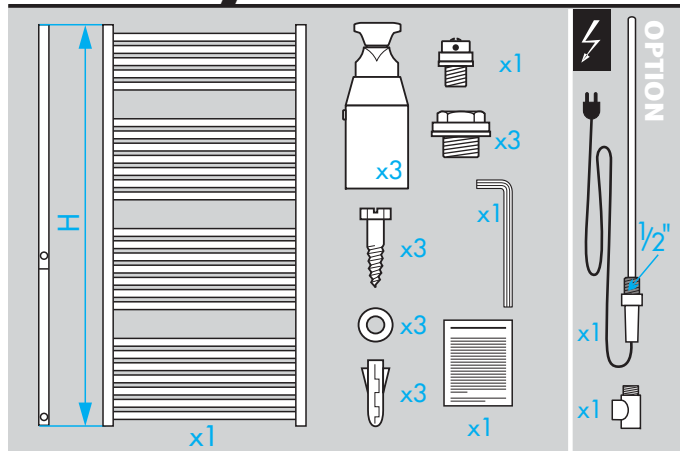


L 450 500 600 750 1000

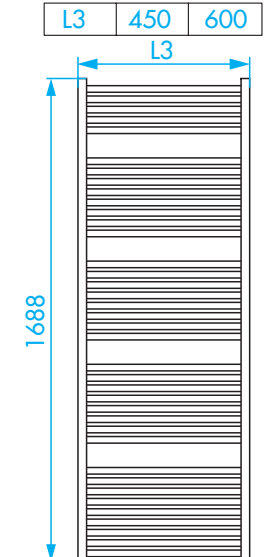
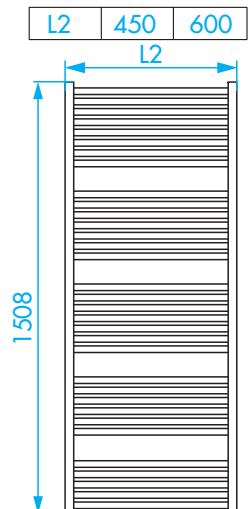
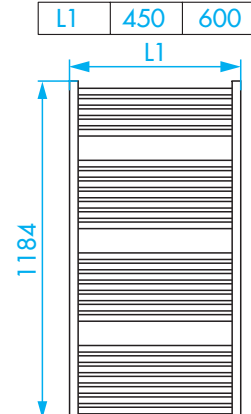
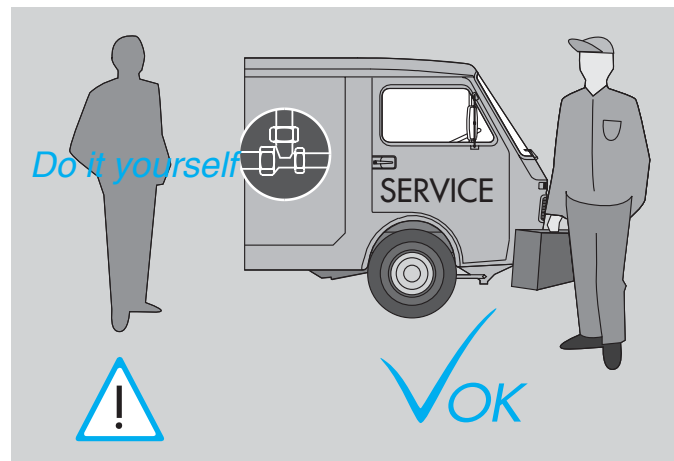
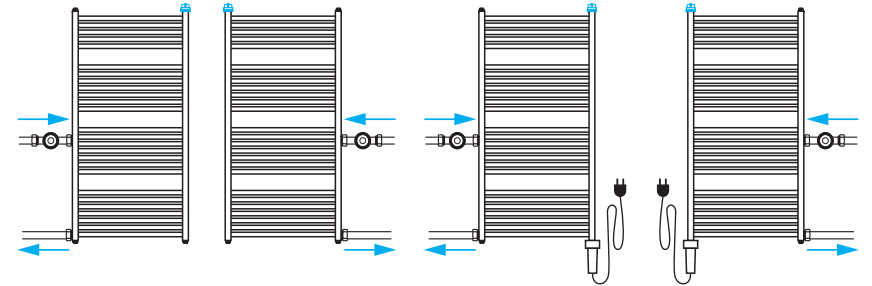
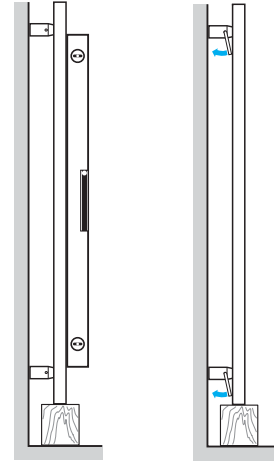
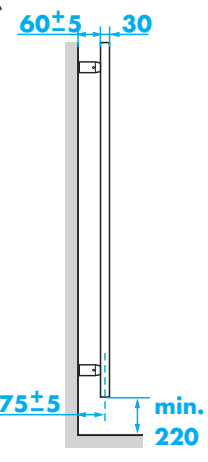
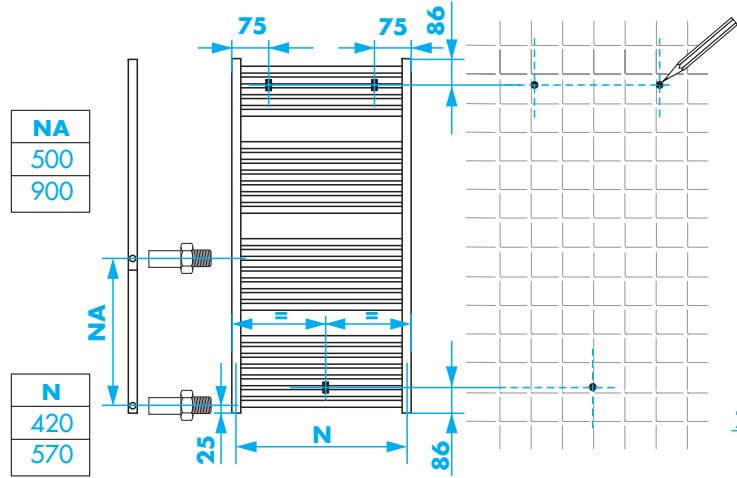
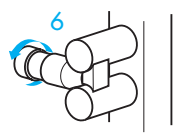
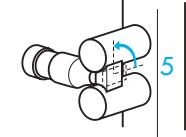
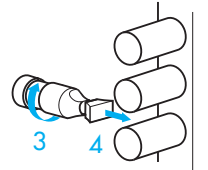
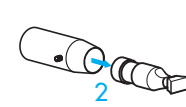
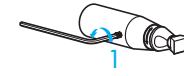
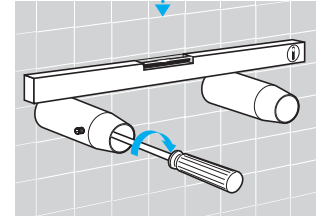
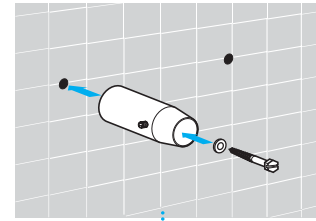
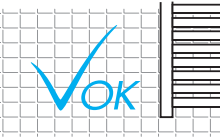
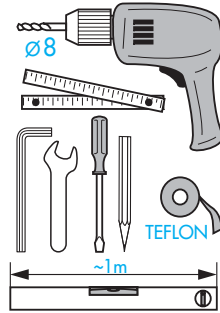
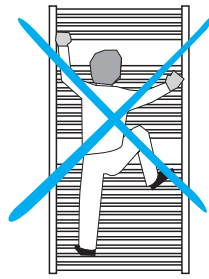


TYPE PyL/R

190907



© Copyright by PBO 09/07

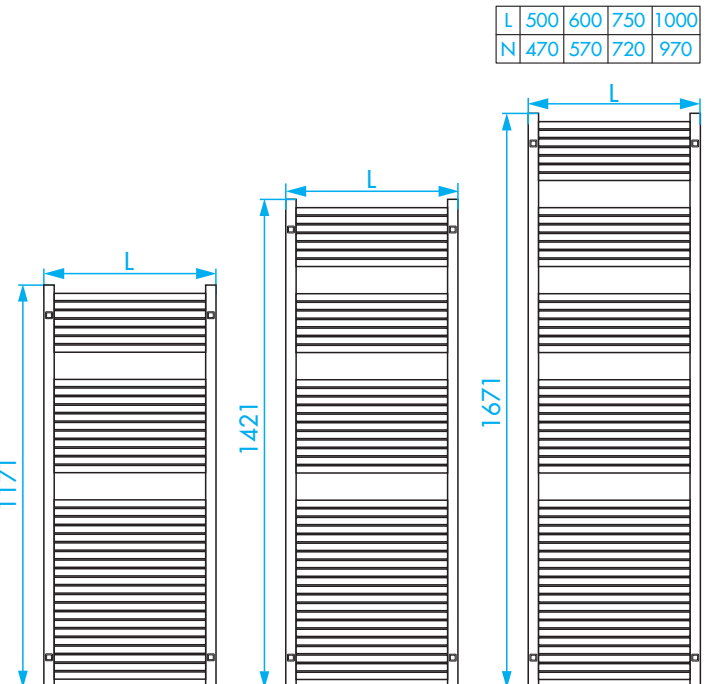
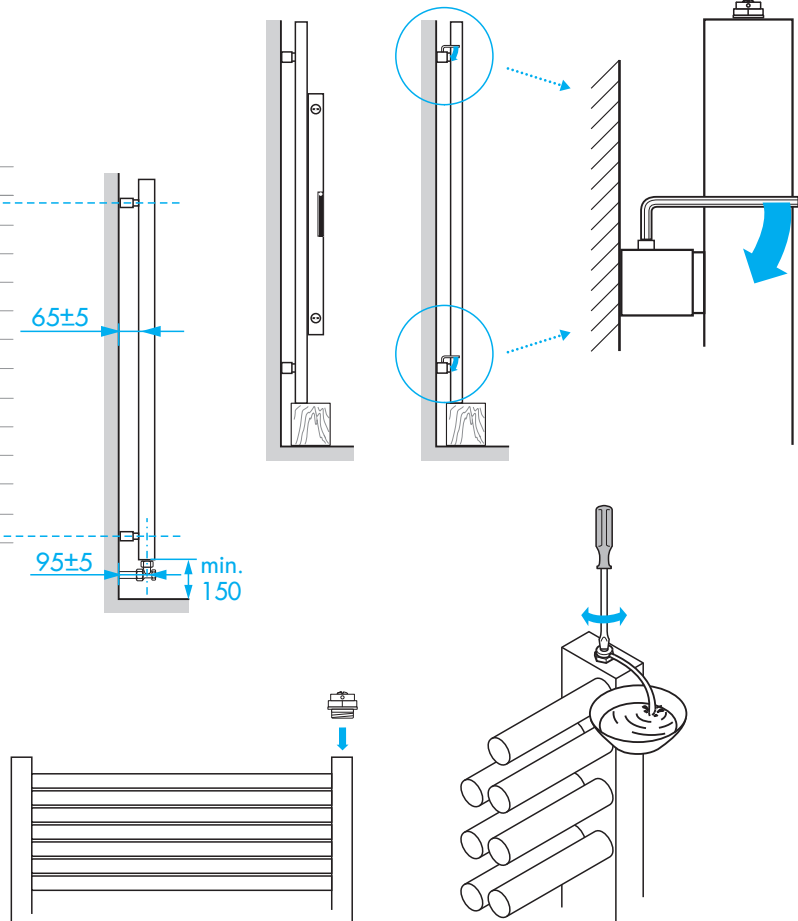
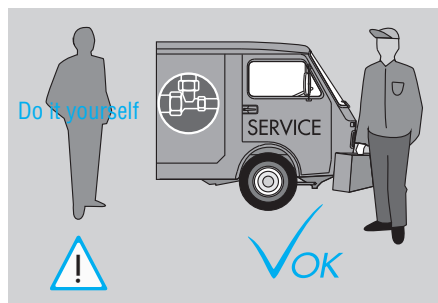
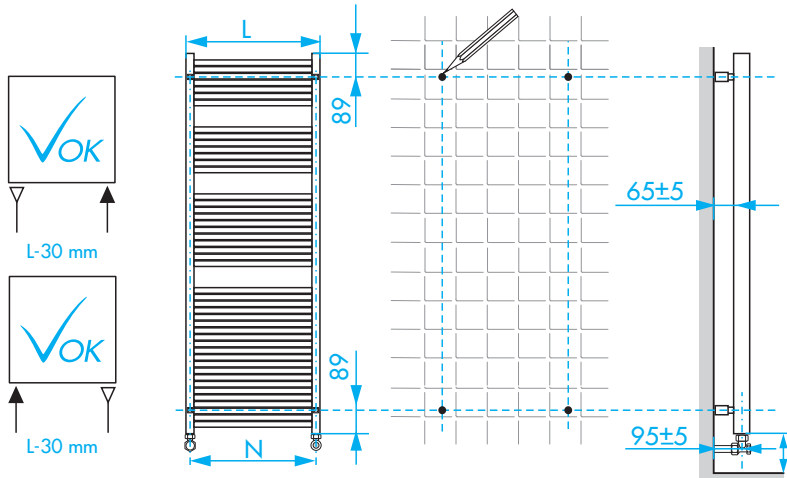
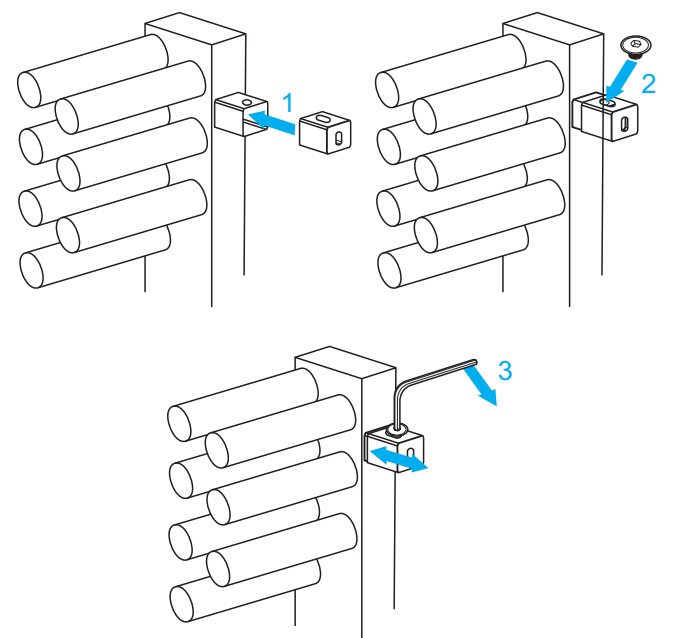
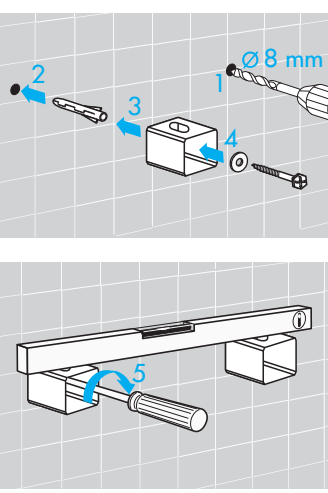
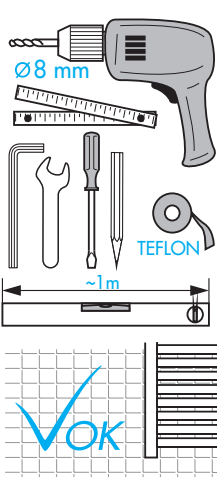
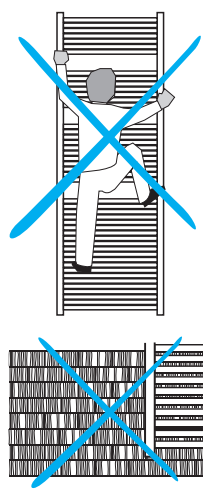
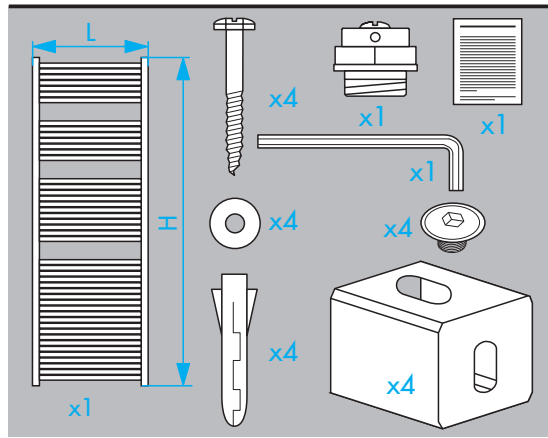


TYPE PYD



40016189

© Copyright by PBO 11/10/2020



TYPE PYD-05

