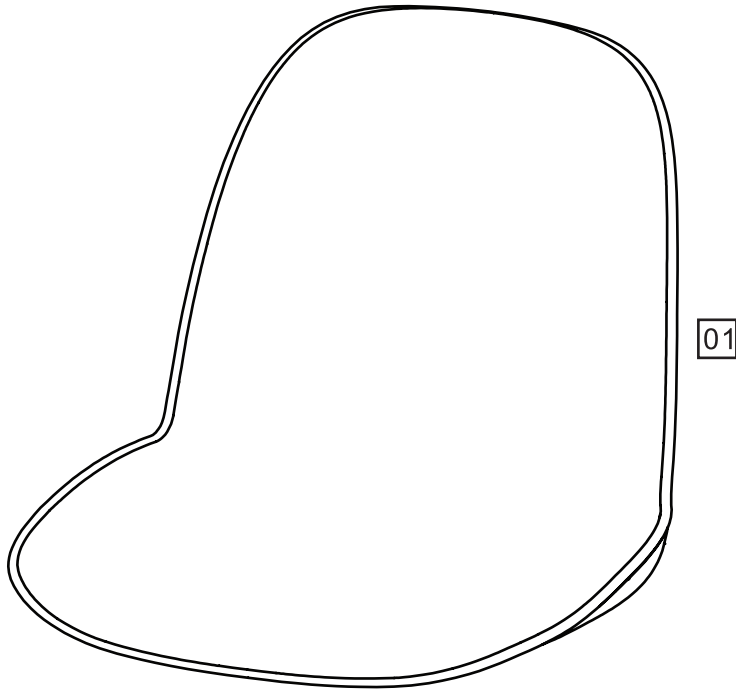


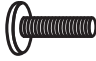
Assembly Instruction

ZUIVER^o

COMPONENT PARTS

FITTINGS

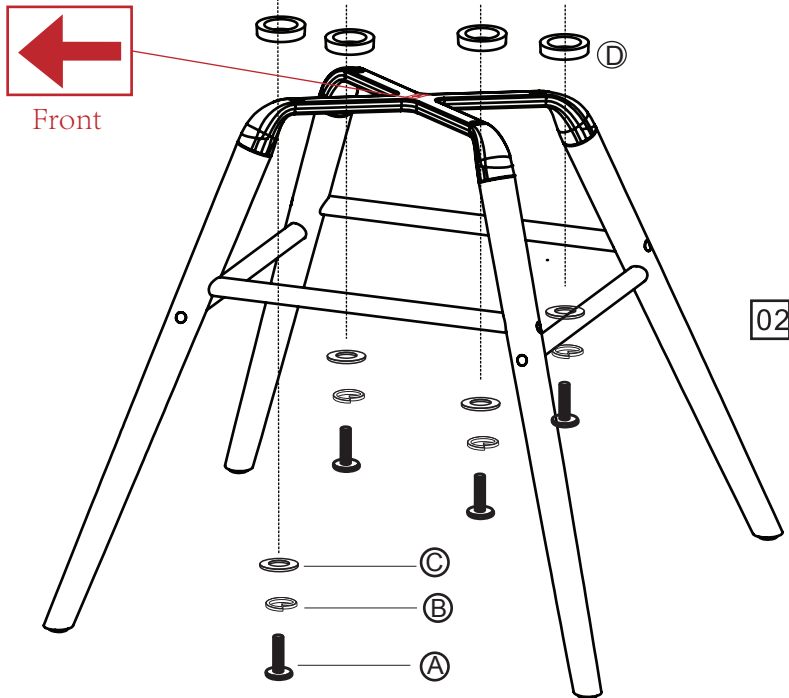


Ⓐ  *4

Ⓑ  *4

Ⓒ  *4

Ⓓ  *4



COMPONENT CHECKLIST

| PART | No. | Qty. | |
|------|-----|------|--------------------------|
| Seat | 01 | 1 | <input type="checkbox"/> |
| Leg | 02 | 1 | <input type="checkbox"/> |

TOOLS REQUIRED



Allen key (supplied)

